

H

G

F

E

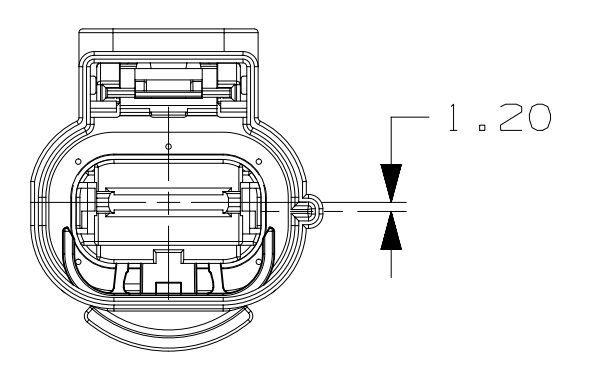
D

C

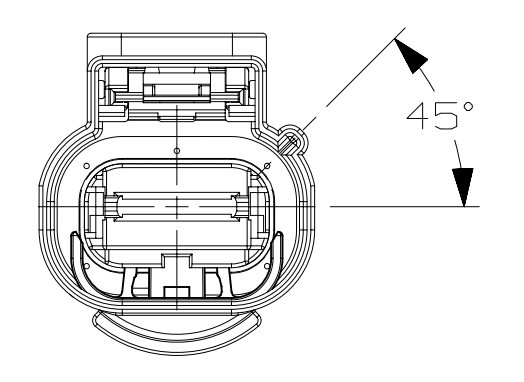
B

A

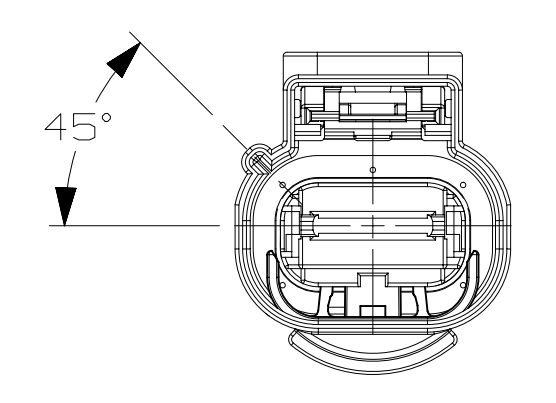
REV	ZONE	DESCRIPTION	CN NO	DATE	DESIGNER	CHECKER
AA	-	PRODUCTION RELEASE	0113264	2020/03/02	B RANGI	A BUTCHER
AB	G3&H2	DM 23.7 WAS 23.0 & PART NUMBERS REVISED	0115981	2020/12/04	B RANGI	A BUTCHER



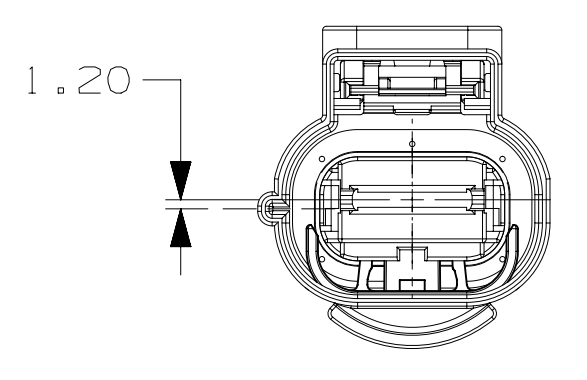
KEY CODE "A"



KEY CODE "B"

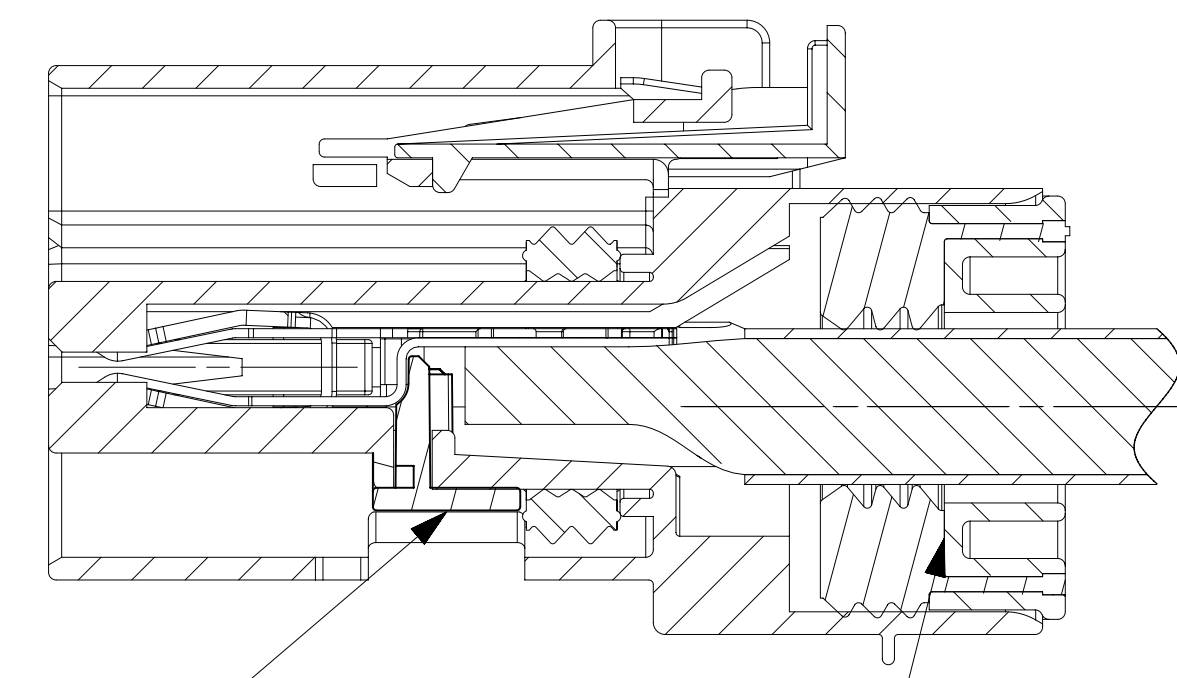
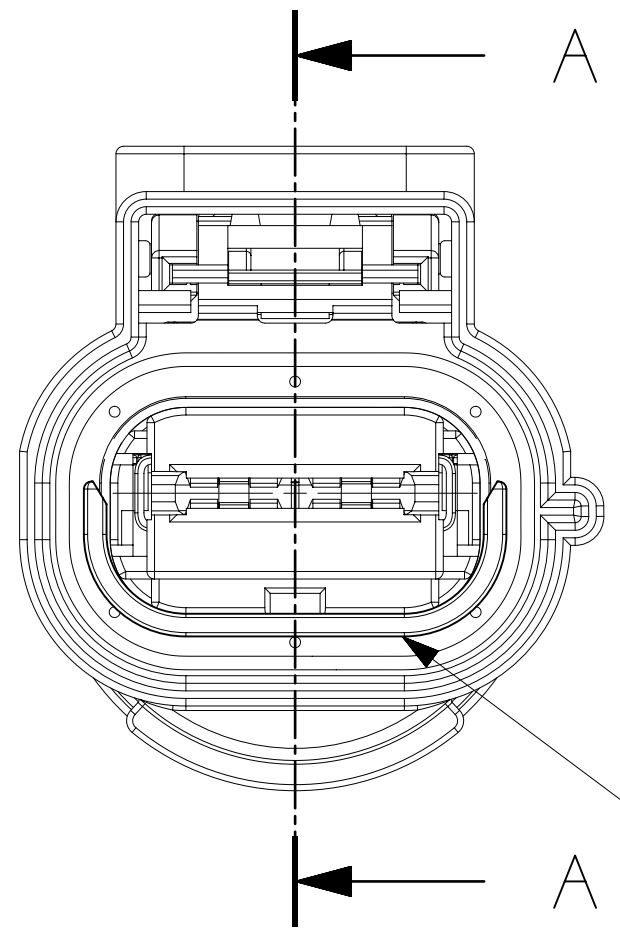
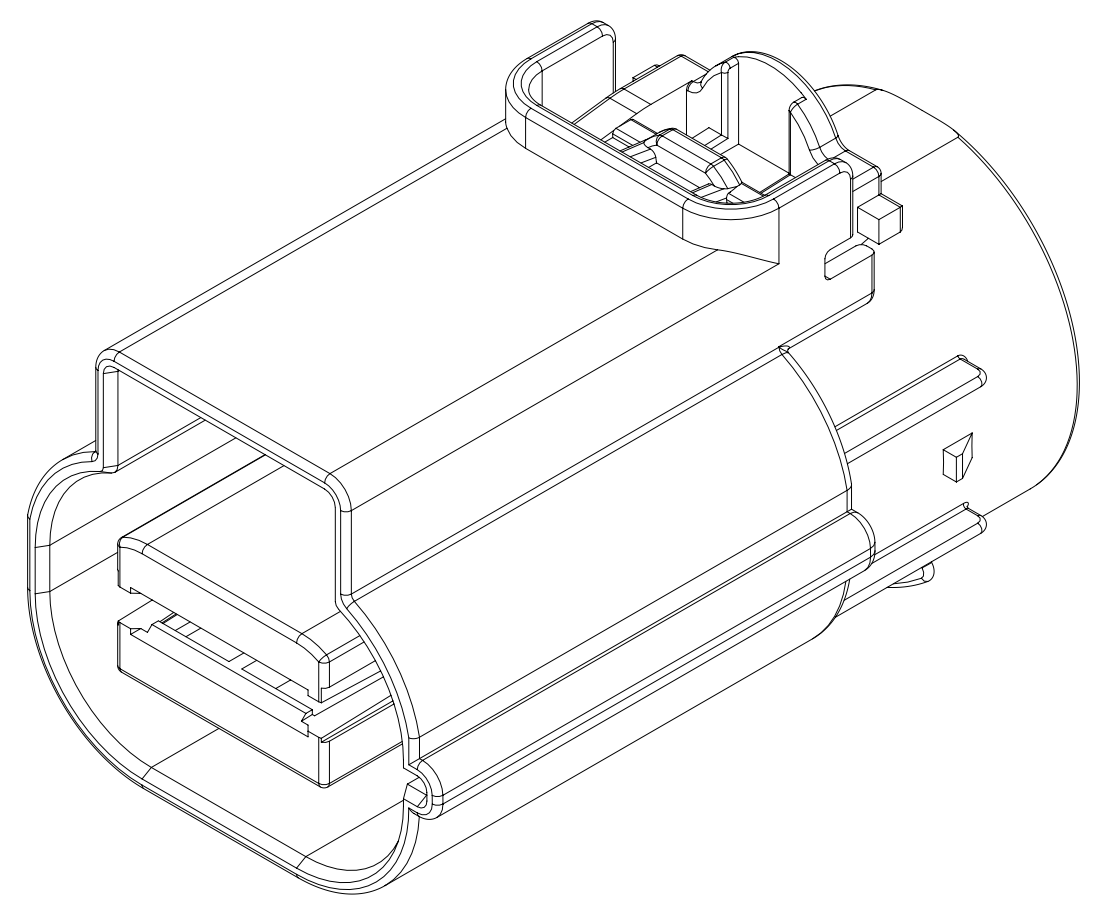
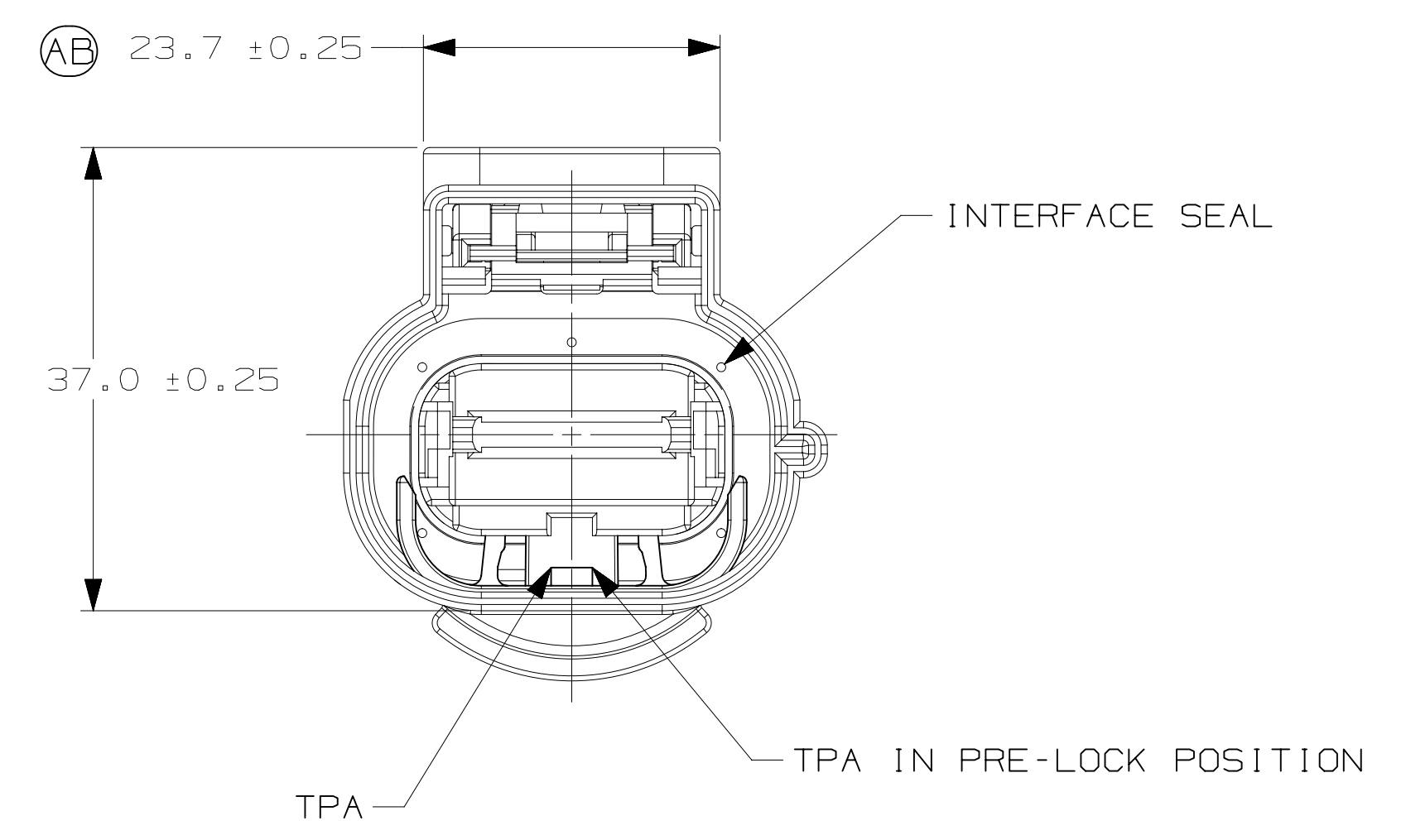
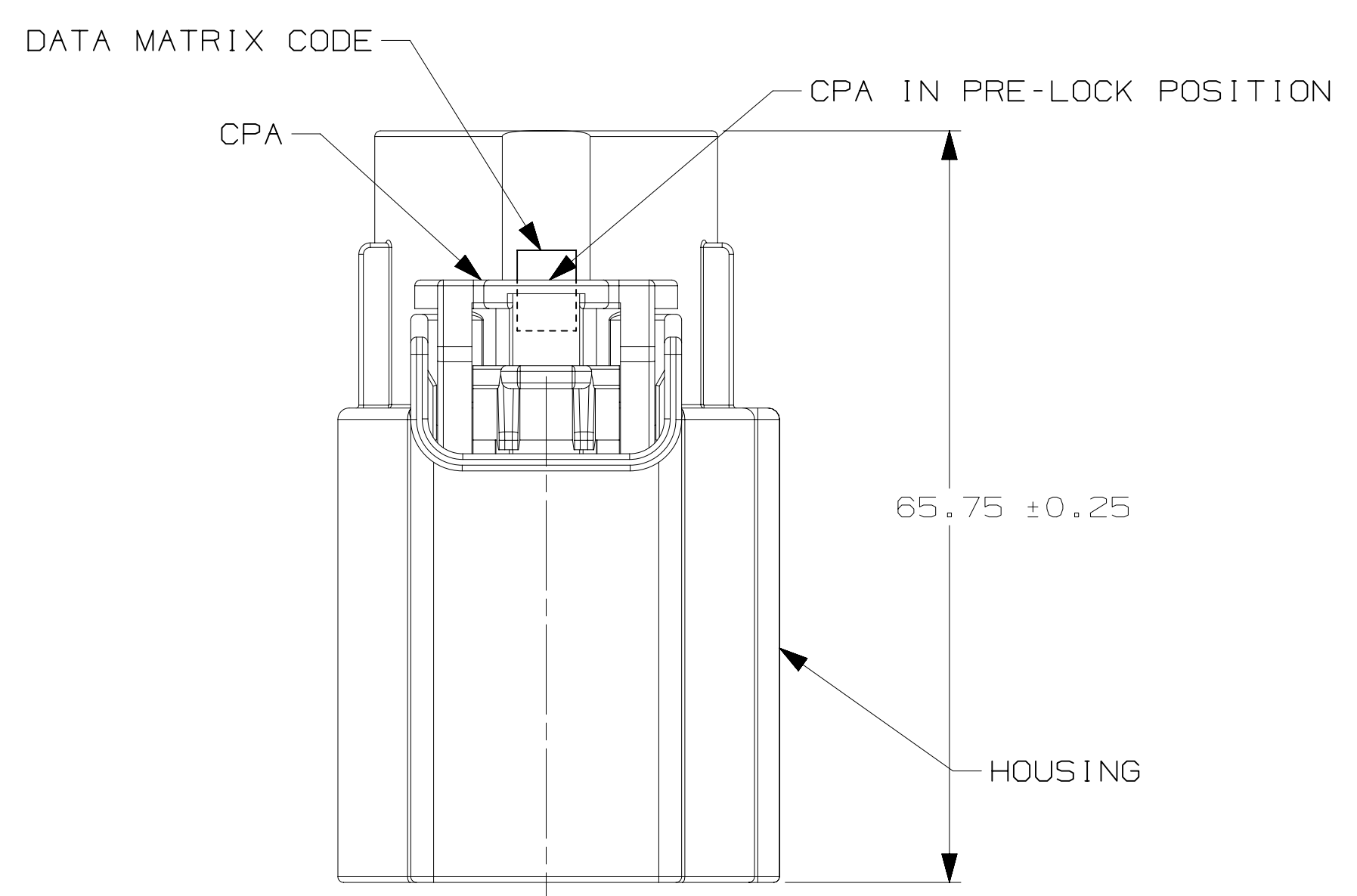


KEY CODE "C"

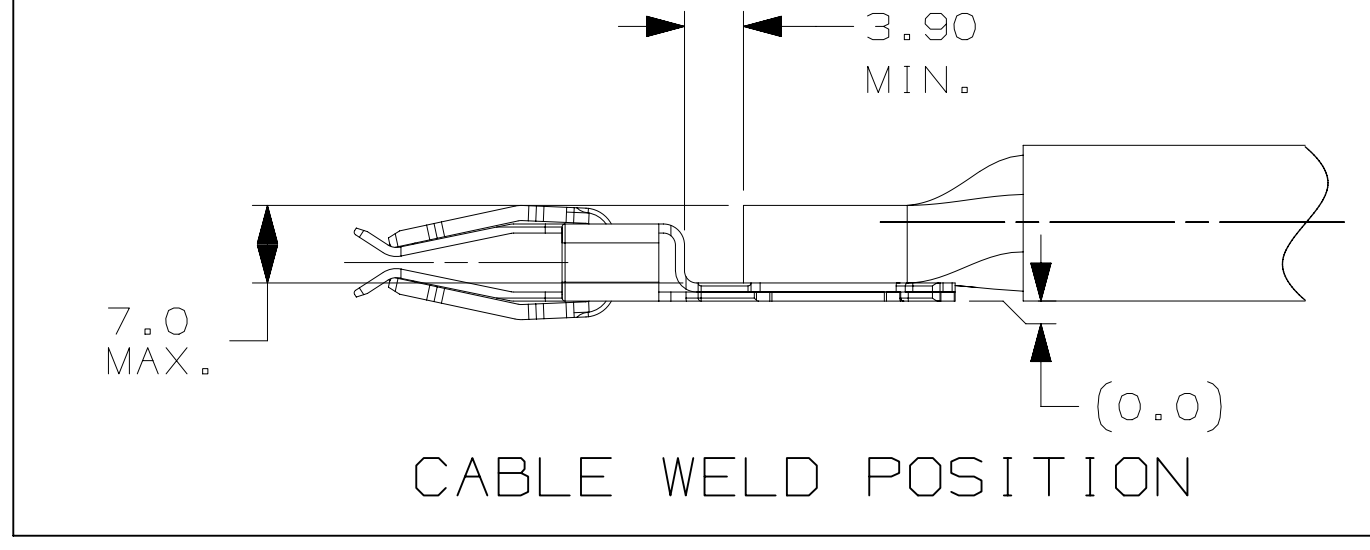
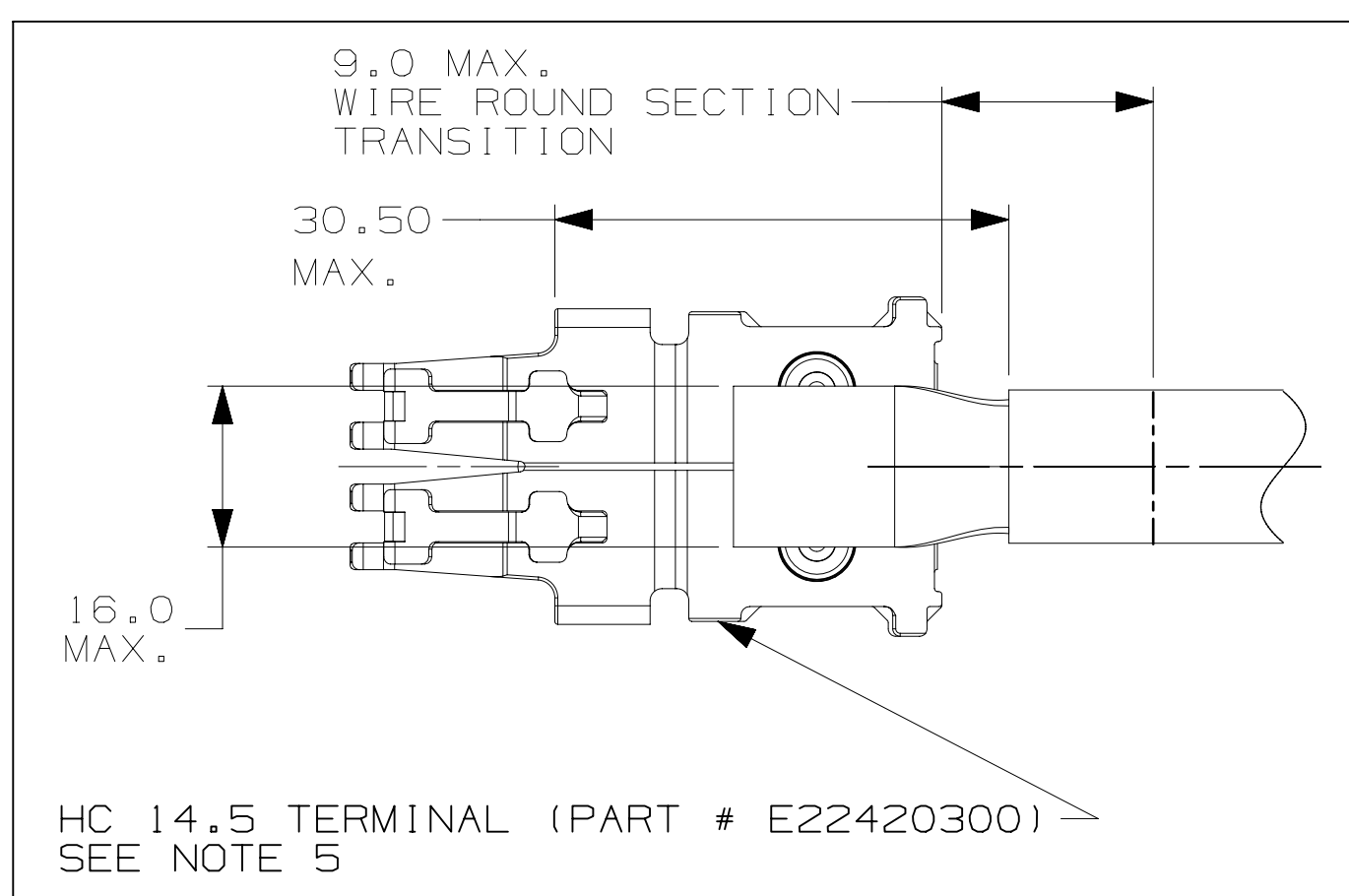


KEY CODE "D"

SCALE 1:1



VIEWS SHOWN WITH TERMINAL SEAL CAP AND CABLE



AB

DESCRIPTION	PART #	WITH DATA MATRIX CODE	KEY CODES	PART	MATERIAL	COLOR	
HOUSING ASSM.	E20930302	NO	D	INTERFACE SEAL	SILICONE	GREEN	
	E25472100	YES		TPA	PA66-GF15	GREEN	
				CPA	PBT-GF10	RED	
	E20930202	NO	C	HOUSING	PA66-GF35	BLACK	
		E25472000		YES	INTERFACE SEAL	SILICONE	GREEN
					TPA	PA66-GF15	GREEN
	E20930102	NO	B	CPA	PBT-GF10	RED	
		E25471900		YES	HOUSING	PA66-GF35	DARK GRAY
					INTERFACE SEAL	SILICONE	GREEN
	E12815002	NO	A	TPA	PA66-GF15	GREEN	
		E25471800		YES	CPA	PBT-GF10	RED
					HOUSING	PA66-GF35	LIGHT GRAY
			INTERFACE SEAL	SILICONE	GREEN		
			TPA	PA66-GF15	GREEN		
			CPA	PBT-GF10	RED		
			HOUSING	PA66-GF35	BLACK		

- CONNECTOR DESIGNED TO MEET APPLICABLE USCAR 2 PERFORMANCE SPECIFICATIONS.  
TEMPERATURE CLASS: T3 (-40°C TO +125°C)  
SEALING CLASS: S3 (SEALED)  
VIBRATION CLASS: V2
- CONNECTOR DESIGNED TO ACCEPT WIRE SIZES: SEE DRW E24093101.CG.
- MATING MALE CONNECTORS DRAWING: E12815102.CG.
- MATING HEADERS INTERFACE DRAWING: E20930601-1.
- HC 14.5 TERMINAL DRAWING: 2B202011F.CG.
- WIRE SEAL CAP DRAWING: E24093101.CG.

ANGLE PROJECTION	MATERIAL: SEE TABLE	WEIGHT CAD	VOLUME CAD
NA	FINISH/SURFACE: N/A	156.5 g	19.9 cm <sup>3</sup>
	COLOR: SEE TABLE		
NOT USED	SCALE: 2:1	 <b>E-SYSTEMS</b> <small>Power and Data Management</small> 21557 TELEGRAPH ROAD SOUTHFIELD, MI 48033	
	START DATE: 2020/03/02		
	DRAWN: B RANGI	TITLE: LEAR WRG CONN,FEMA,SLD,1 WAY	
	APPROVERS: ENGR: B RANGI, CHECKER: A BUTCHER, APPROVER: D MENZIES	DRAWING FILE NAME: E12815002.DRW.1prt	
	CAD DIRECTORY / LOCATION:	MODEL FILE NAME: E12815002.prt	
	SEM		
LAST UPDATE	SEM DOCUMENT ID / DRAWING NUMBER	REV	SHEET OF
2020/12/04	E12815002	AB	1 1 CG
LAST USED	CONFIDENTIAL - THIS DRAWING AND ALL INFORMATION DISCLOSED HEREIN ARE OWNED BY LEAR CORPORATION AND ARE NOT TO BE DISTRIBUTED OR DISSEMINATED IN ANY MANNER UNLESS EXPRESSLY AUTHORIZED IN WRITING BY LEAR CORPORATION		

H

G

F

E

D

C

B

A

IN XX D ANS