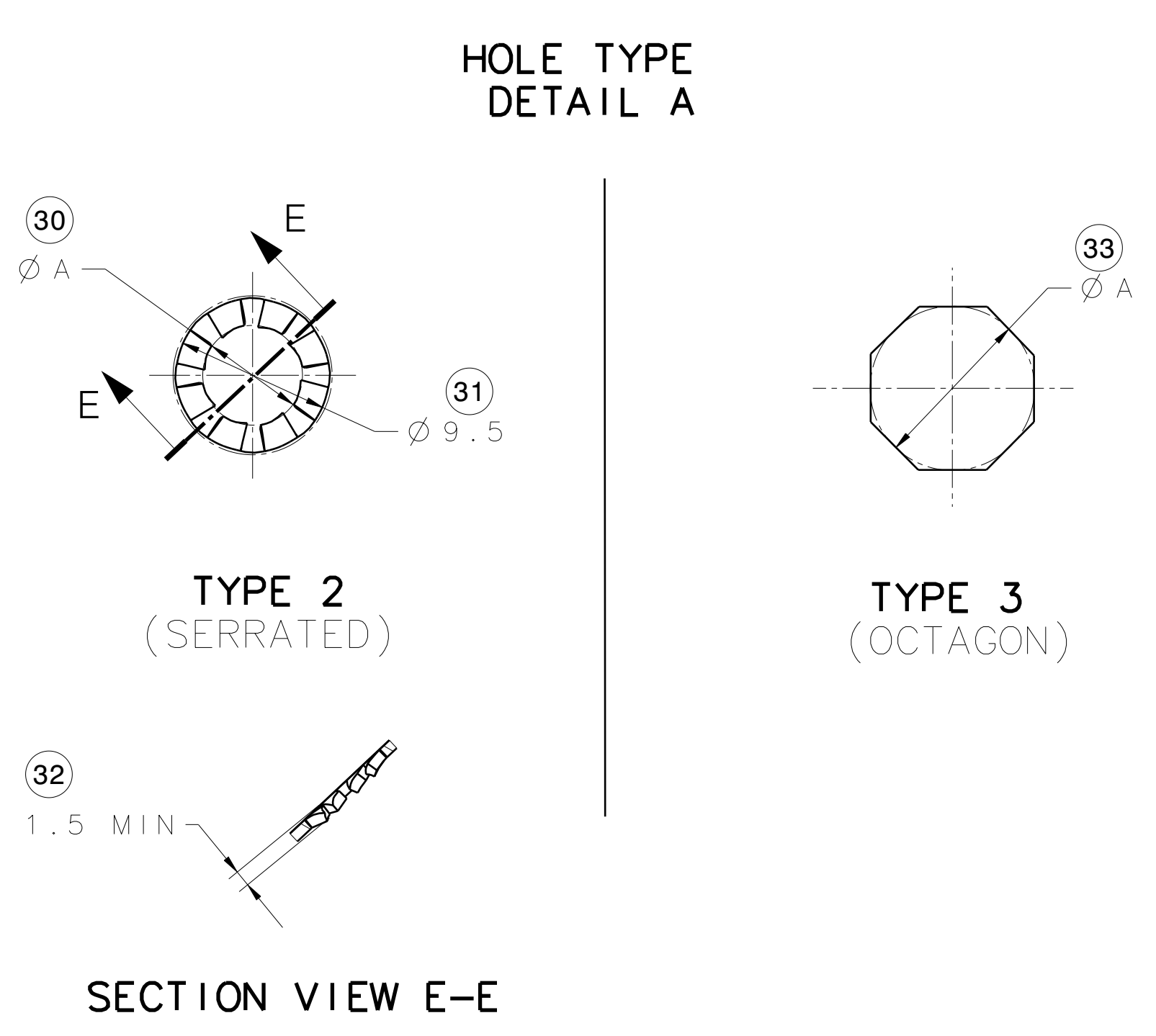
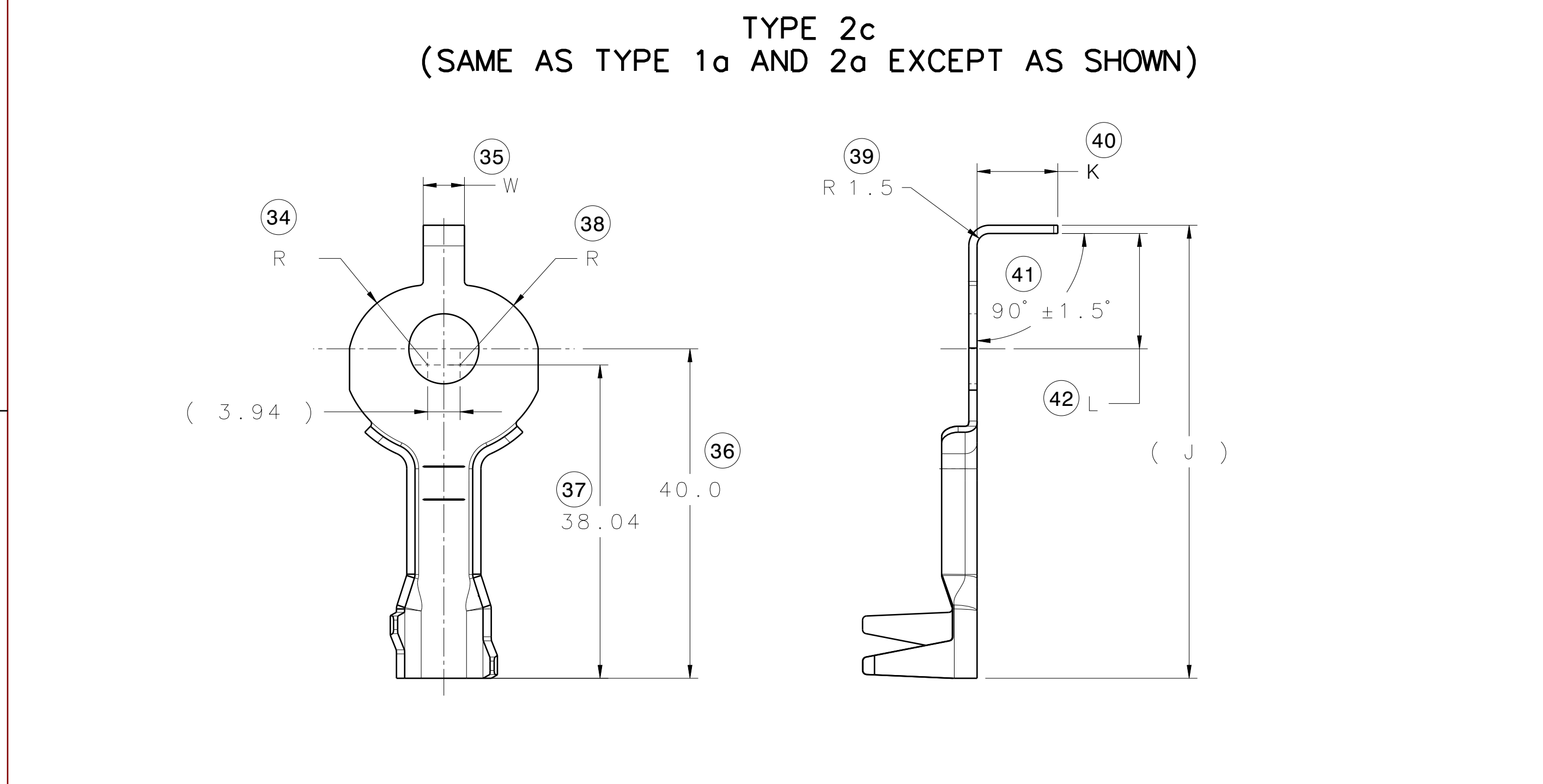
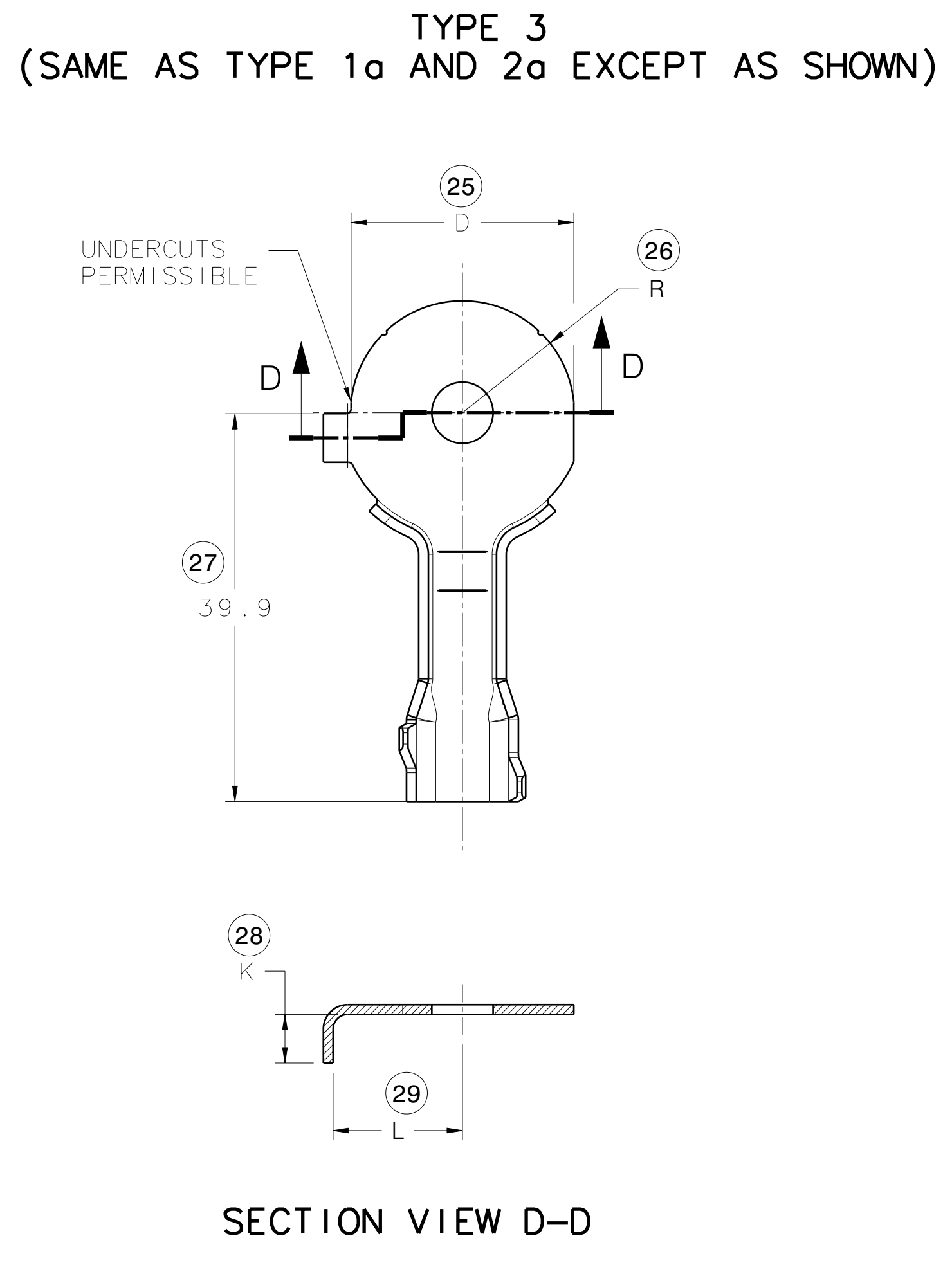
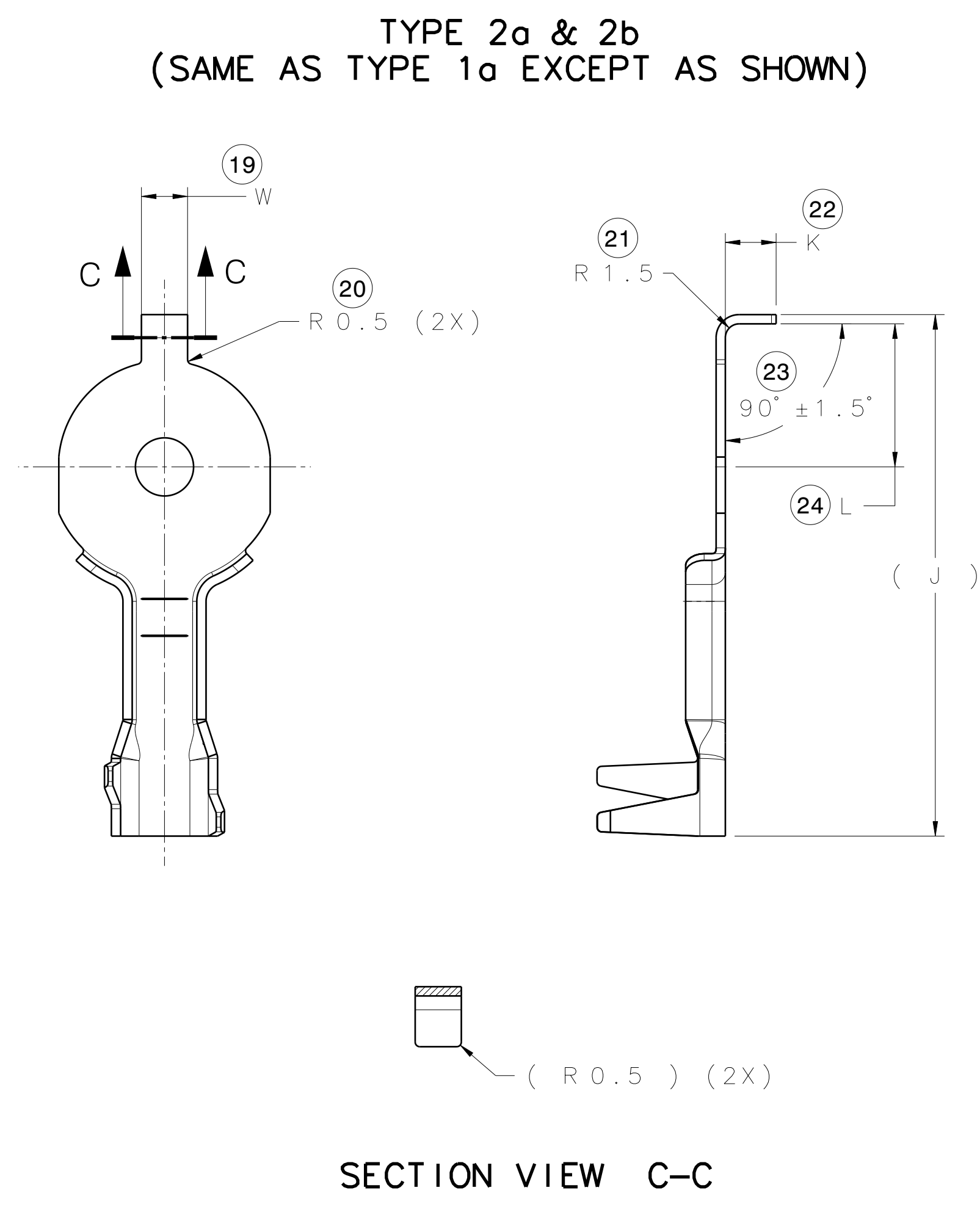
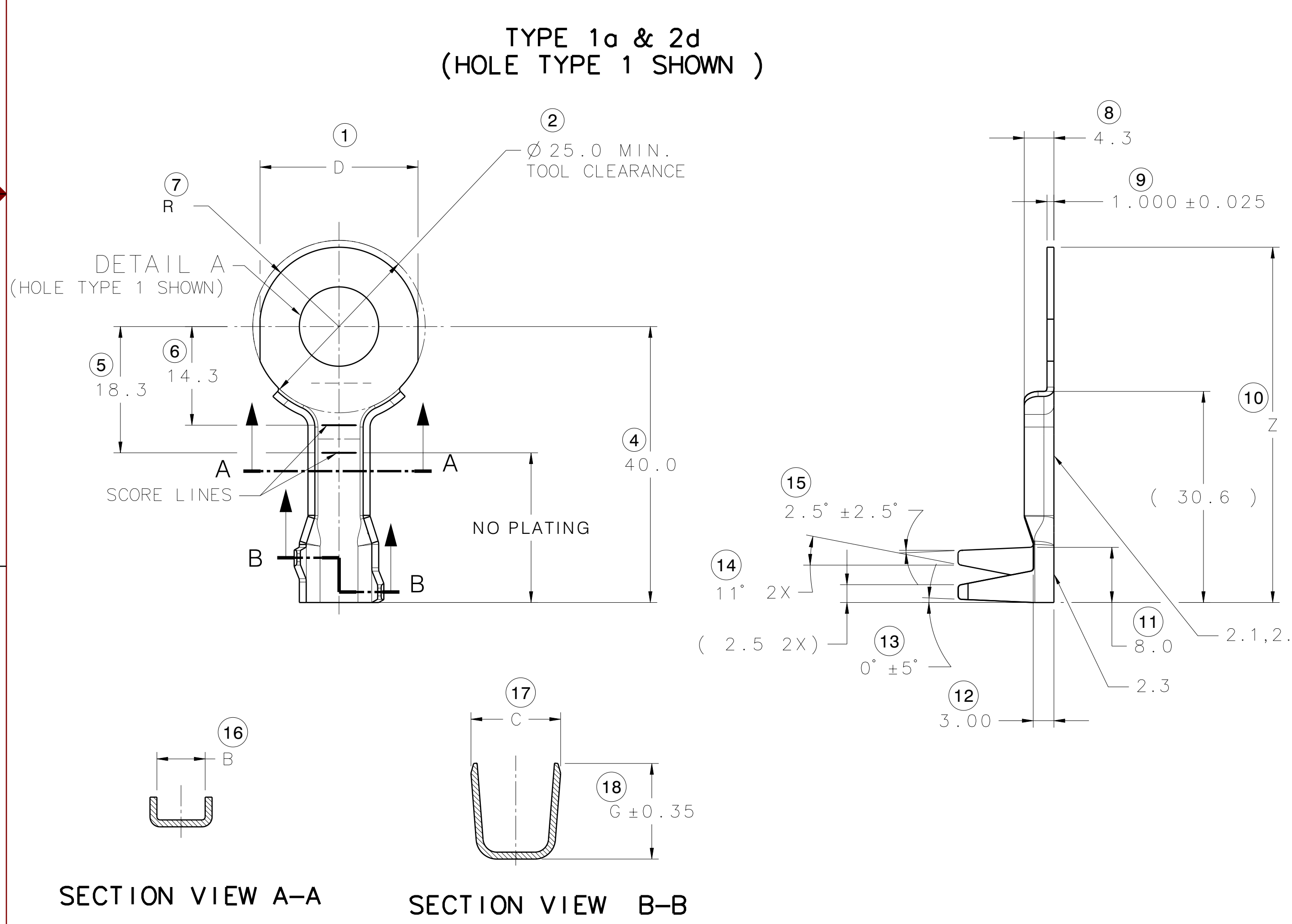
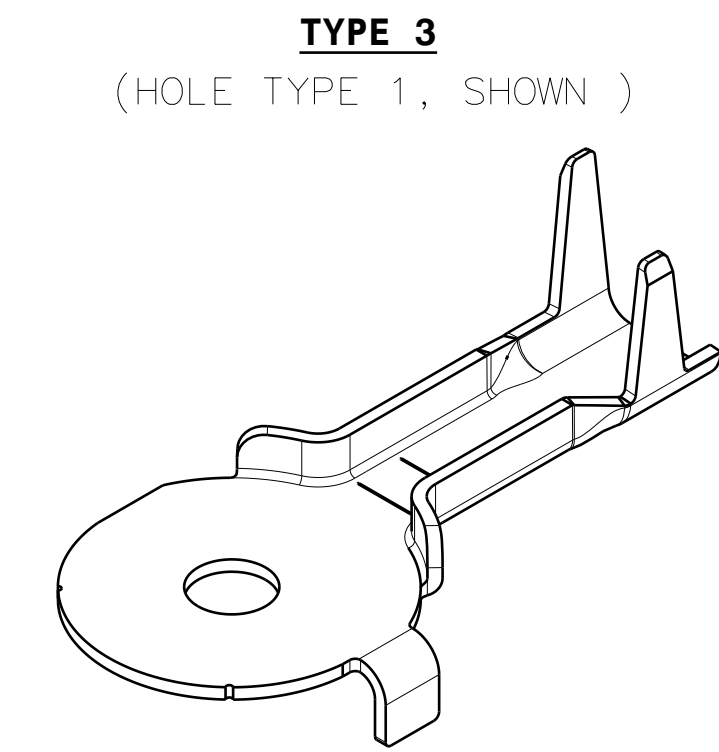
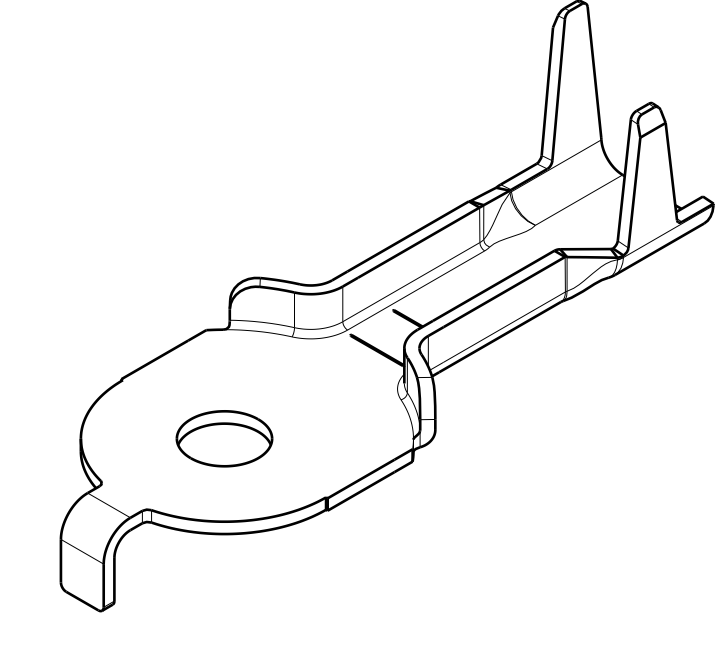
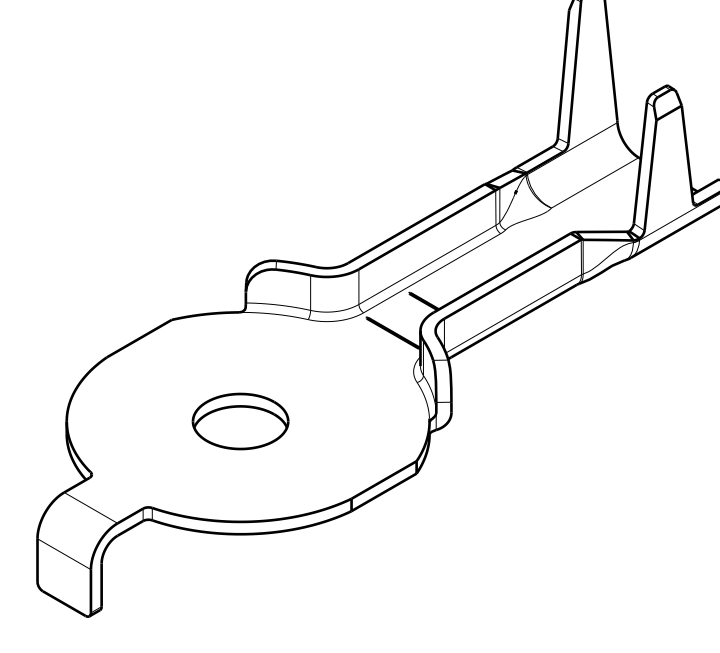
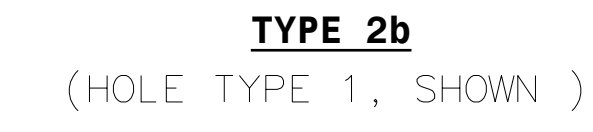
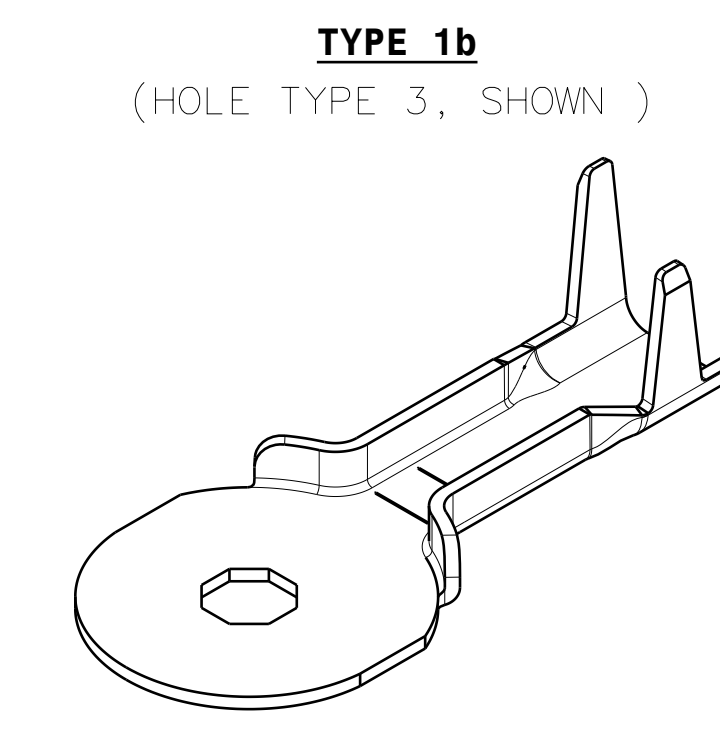
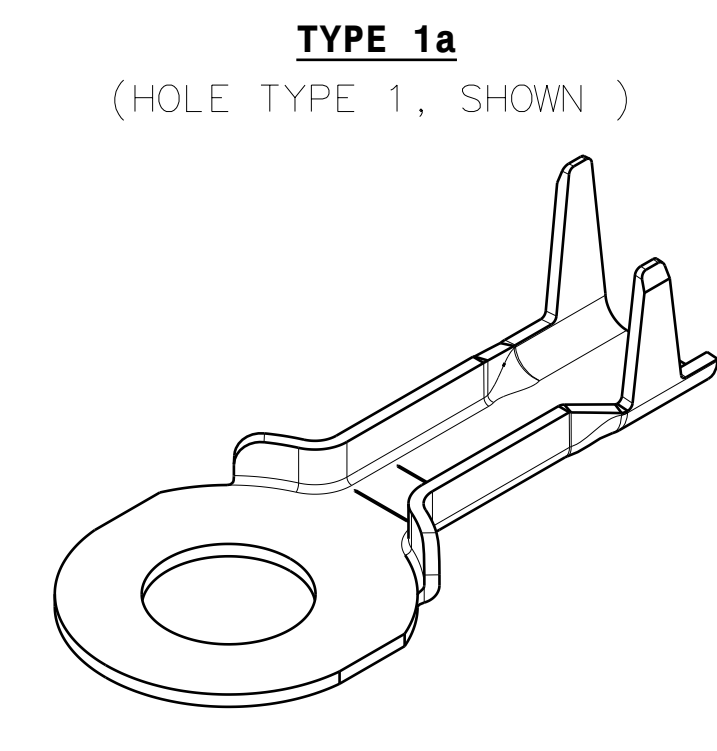


Lear / SEM P/N	T&C P/N	Eyelet Type	HOLE TYPE	Ø A HOLE SIZE	WIRE BUNDLE SIZE	MAX NUMBER OF WIRES	D	R RADIUS	Z LENGTH W/O TAB	J OVERALL LENGTH W/TAB	WELD AREA			ANTI ROTATION			PLATING
											B TROUGH WIDTH	C INSUL. WIDTH	G INSUL. HEIGHT	K TAB LENGTH	L TAB POSITION	W TAB WIDTH	
E16955100	101925-SDF76	1a	1	6.3	2.5-6.5	1-12	22.9	11.50	51.50	-	4.00	10.3	11.3	-	-	-	4A
E16955200	100725-UWF76			6.3	5.0-20	1-20	22.9	11.50	51.50	-	7.00	13.0	13.9	-	-	-	
E16955300	100731-USW76			8.5	5.0-20	1-20	22.9	11.50	51.50	-	7.00	13.0	13.9	-	-	-	
E16955400	100745-XPL76	2	2	11.5	5.0-20	1-20	22.9	11.50	51.50	-	7.00	13.0	13.9	-	-	-	4A
E16955500	100725-USW76			6.4	5.0-20	1-20	22.9	11.50	51.50	-	7.00	13.0	13.9	-	-	-	
E16955600	101925-UWE76			6.3	2.5-6.5	1-12	22.9	11.50	51.50	-	4.00	10.3	11.3	-	-	-	
E14808201	101925-UWE229	1b	3	6.3	2.5-6.5	1-12	22.9	11.50	51.50	-	4.00	10.3	11.3	-	-	-	4B
E14808401	100725-UWE229			6.3	5.0-20	1-20	22.9	11.50	51.50	-	7.00	13.0	13.9	-	-	-	
E16955700	100725-UWE76			6.3	5.0-20	1-20	22.9	11.50	51.50	-	7.00	13.0	13.9	-	-	-	
E07462400	101931-UMG76	2a	1	8.1	2.5-6.5	1-12	22.9	11.50	51.50	-	4.00	10.3	11.3	-	-	-	4A
E07462300	100731-UMG76			8.1	5.0-20	1-20	22.9	11.50	51.50	-	7.00	13.0	13.9	-	-	-	
E16955800	101925-UWR76			6.3	2.5-6.5	1-12	22.9	11.50	51.50	56.50	4.00	10.3	11.3	5.5	15.50	5.00	
E17003200	100725-UWR76	2a	1	6.3	5.0-20	1-20	22.9	11.50	51.50	56.50	7.00	13.0	13.9	5.5	15.50	5.00	4A
E16954800	100731-UWR76			8.5	5.0-20	1-20	22.9	11.50	51.50	56.50	7.00	13.0	13.9	5.5	15.50	5.00	
E16955900	100745-UWR76			11.5	5.0-20	1-20	22.9	11.50	51.50	56.50	7.00	13.0	13.9	5.5	15.50	5.00	
E16956000	100725-UWT76	2b	1	6.4	5.0-20	1-20	22.9	11.50	51.50	56.50	7.00	13.0	13.9	5.5	15.50	5.00	4B
E21613400	101925-USR76			6.3	2.5-6.5	1-12	19.3	9.50	49.40	53.20	4.00	10.3	11.3	5.0	12.30	4.00	
E02984901	100725-USR76			6.3	5.0-20	1-20	19.3	9.50	49.40	53.20	7.00	13.0	13.9	5.0	12.30	4.00	
E10506401	100725-USR229	2c	1	6.3	2.5-6.5	1-12	22.9	9.70	47.69	53.30	4.00	10.3	11.3	8.7	12.30	7.00	4A
E02663201	101925-STT76			6.3	2.5-6.5	1-12	22.9	9.70	47.69	53.30	4.00	10.3	11.3	8.7	12.30	7.00	
E15307001	101925-STT229			6.3	2.5-6.5	1-12	22.9	9.70	47.69	53.30	4.00	10.3	11.3	8.7	12.30	7.00	
E05176601	101931-SLT76	2c	1	8.5	2.5-6.5	1-12	22.9	9.70	47.69	53.30	4.00	10.3	11.3	9.8	14.00	5.00	4A
E05176401	101931-SWT76			8.5	2.5-6.5	1-12	22.9	9.70	47.69	53.30	4.00	10.3	11.3	8.7	12.30	5.00	
E17018700	100725-SWT76			6.3	5.0-20	1-20	22.9	9.70	47.69	53.30	7.00	13.0	13.9	8.7	12.30	5.00	
E10176701	100725-SWT229	2d	1	6.3	5.0-20	1-20	22.9	9.70	47.69	53.30	7.00	13.0	13.9	8.7	12.30	5.00	4B
E02663101	100725-STT76			6.3	5.0-20	1-20	22.9	9.70	47.69	53.30	7.00	13.0	13.9	8.7	12.30	5.00	
E05151501	100731-SLT76			8.5	5.0-20	1-20	22.9	9.70	47.69	53.30	7.00	13.0	13.9	9.8	14.00	5.00	
E04260101	100731-SWT76	3	1	8.5	5.0-20	1-20	22.9	9.70	47.69	53.30	7.00	13.0	13.9	8.7	12.30	5.00	4A
E05176801	100745-SWT76			11.5	5.0-20	1-20	22.9	9.70	47.69	53.30	7.00	13.0	13.9	8.7	12.30	5.00	
E05176201	101925-JSR76			6.3	2.5-6.5	1-12	19.3	9.50	49.40	-	4.00	10.3	11.3	-	-	-	
E05176300	100725-JSR76	3	1	6.3	5.0-20	1-20	19.3	9.50	49.40	-	7.00	13.0	13.9	-	-	-	4A
E01255001	101925-UWC76			6.3	2.5-6.5	1-12	22.9	11.50	51.50	-	4.00	10.3	11.3	5.0	13.30	5.00	
E01870001	101931-WWC76			8.5	2.5-6.5	1-12	22.9	11.50	51.50	-	4.00	10.3	11.3	5.0	13.30	5.00	
E00654101	100725-UWC76	3	1	6.3	5.0-20	1-20	22.9	11.50	51.50	-	7.00	13.0	13.9	5.0	13.30	5.00	4B
E01870801	100731-WWC76			8.5	5.0-20	1-20	22.9	11.50	51.50	-	7.00	13.0	13.9	5.0	13.30	5.00	
E10177001	101925-UWC229			6.3	2.5-6.5	1-12	22.9	11.50	51.50	-	4.00	10.3	11.3	5.0	13.30	5.00	
E10176801	100731-WWC229	3	1	8.5	5.0-20	1-20	22.9	11.50	51.50	-	7.00	13.0	13.9	5.0	13.30	5.00	4B



- NOTES:
- GENERAL TOLERANCE  
1.1 ONE PLACE : ± 0.3  
1.2 TWO PLACE : ± 0.15  
1.3 ANGULAR PLACE : ±3°
  - TOOL INSERTS  
2.1 LEAR LOGO-LR  
2.2 GRIP CODE  
2.3 DATE CODE:WEEK OF MANUFACTURE
  - MATERIAL: COPPER ALLOY.
  - FINISH: UNPLATED
  - SELECTIVELY PRE-PLATED TIN.
  - NO HEAVY METALS ARE PERMITTED (HEXAVALENT CHROMIUM, LEAD, CADMIUM, ETC) ON PARTS, COMPONENTS OR PROCESSES.
  - PARTS ARE LOOSE PIECE.
  - 0.5 MAX. CUT OFF.

REV.	ZONE	DESCRIPTION	CS/REL. NO.	DATE	DESIGNER	CHECKER
AA	-	INITIAL RELEASE	CSF 322218	2016/01/06	B. MARTIN	OF
AB	-	REVISED DRAWING FORMAT REVISED TABLE ORGANIZATION ADDED PART NO. E10176700, E10176800, & E10177000 & E10064000 SIMILAR TO E00001191, E01870800, E01255000 & E02984900 RESPECTIVELY EXCEPT FINISH.	CSF 341235	2017/01/16	G.J. BELUC	S. RAMMAN
AC	-	REMOVED NOTE #5. REVISED CHART TO REMOVED MATERIAL FROM THE CHART AND ADDED TO NOTE TYPE 1 IS SPLIT INTO 2, TYPE 1a AND TYPE 1b ADDED TYPE 2c DETAILED VIEW	CSF 348899	2017/06/13	O.J. BELUC	S. RAMMAN
AD	G4	REMOVED PLATING AREA CALL OUT DIMENSION 19.7. REMOVED DIM (10.5 MIN). ADDED NO PLATING AREA CALL OUT.	CSF 352956	2017/10/04	C. SOO	S. RAMMAN
AE	E6	ADDED PART NUMBERS E14808200 AND E14808400 SAME AS 320151FGA AND 320151FGD EXCEPT SELECTIVELY PRE-PLATED TIN	CSF 355371	2018/01/30	C. SOO	S. RAMMAN
AF	E7	ADDED NEW PART NUMBER E169557000, SAME AS E02663200 EXCEPT SELECTIVELY PRE-PLATED TIN	CSF 356177	2018/03/07	D. LARIGOSA	S. RAMMAN
AG	H6, H7, H8	CHANGED THE BASE MATERIAL FOR ALL EXCEPT E01941800, E05176300, E014808200 & E014808400. NEW PART NUMBERS TO REPLACE THE OLD PART NUMBERS EXCEPT THE ABOVE FOUR PART NUMBERS. THE DRAWING NUMBER E169554000G WAS 100745-XPL000G	CR-0107385	2018/08/22	R. SAGARINO	S. RAMMAN
AH	E7	TAB LENGTH DIM "X" WAS CORRECTED FROM 5.5 TO 5.0 FOR P/N E01941800, E02984901, & E1006401	CR-0108388	2018/10/11	C. SOO	S. RAMMAN
AJ	O6	ADDED VIEW FOR TYPE 2d FOR CLARIFICATION. ADDED EYELET TYPE 2d IN THE TABLE.	CR-0109083	2019/01/04	C. SOO	S. RAMMAN
AK	O5, E5	ADDED TYPE 2d TO 1a, AND 2d TO 2a. E21613400 REPLACES E01941800.	CR-0110301	2019/04/25	R. SAGARINO	S. RAMMAN
AL	-	DRAWING NO. E16955400 WAS E16955400G.	CR-0119832	2022/01/21	M. PHENDOL	S. RAMMAN

ANGLE PROJECTION	MATERIAL FINISH / SURFACE COLOR	SEE TABLE	SEE TABLE	WEIGHT CAD	VOLUME CAD
NA		N/A	N/A	N/A	N/A
SCALE	2:1				
START DATE	2016/05/23				
DRAWN	TSR	TITLE			
APPROVED	ENGR. S. RAMMAN CHECKER A. BUTCHER APPROVER B. RANGI	ULTRASONIC WELD EYELET			
CAD DIRECTORY / LOCATION	DRAWING FILE NAME: E16955400-ALD001 CATD00000g				
SEM	MODEL FILE NAME: E16955400-001/001-000000101-0000001-011703200-E16955400-001/001/001/001/001/001				
LAST UPDATE	SEM DOCUMENT ID / DRAWING NUMBER	REV	SHEET	OF	TYPE
2022/01/21	E16955400	AL	1	1	CG
LAST USED	CONFIDENTIAL - THIS DRAWING AND ALL INFORMATION DISCLOSED HEREIN ARE OWNED BY LEAR CORPORATION AND ARE NOT TO BE DISTRIBUTED OR DISSEMINATED IN ANY MANNER UNLESS EXPRESSLY AUTHORIZED IN WRITING BY LEAR CORPORATION				

DATA US BXX E ANSI

TITLE BLOCK FILE IN SEM: 12116-23004-0-001-REV-3-001-001