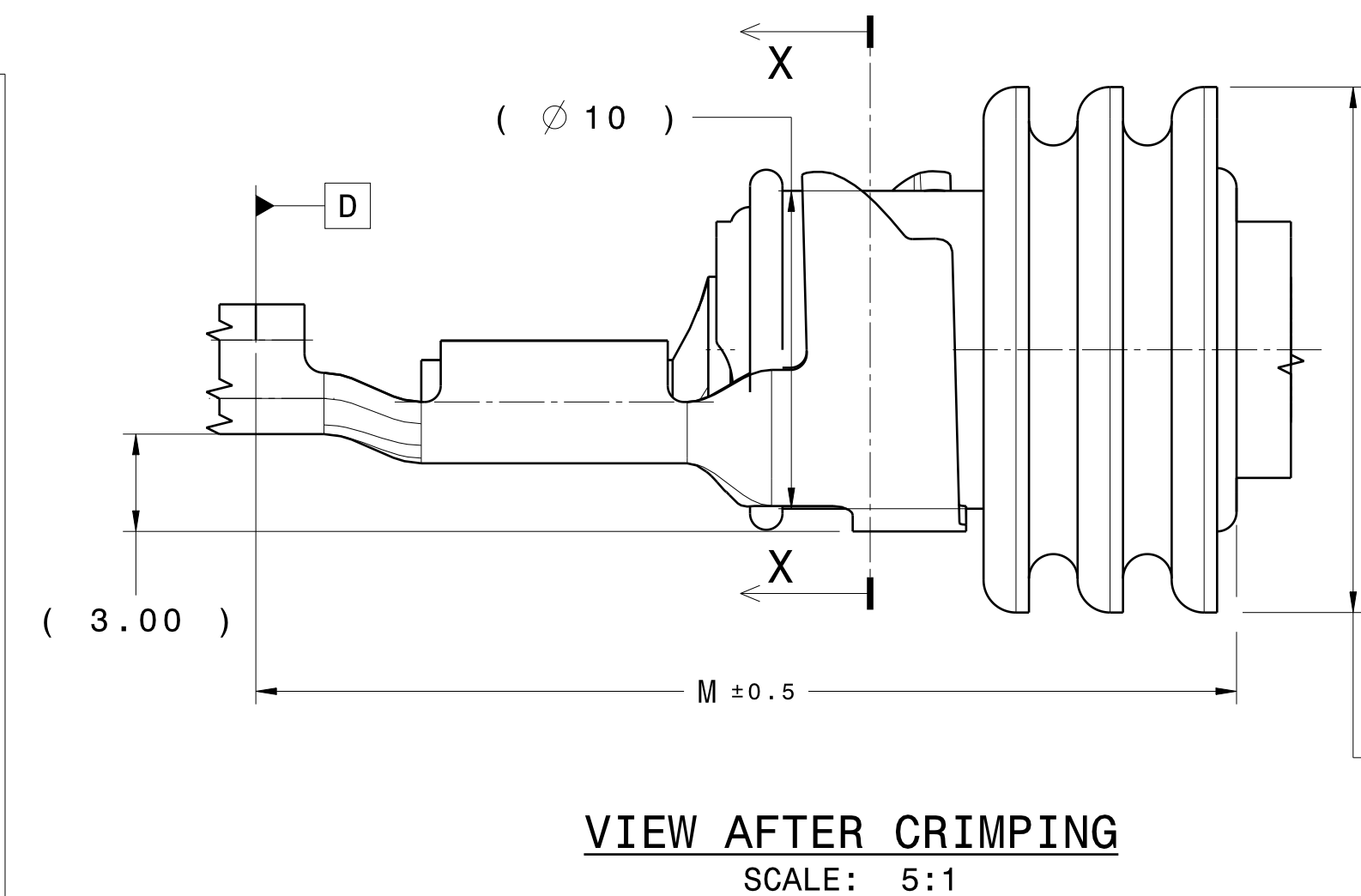
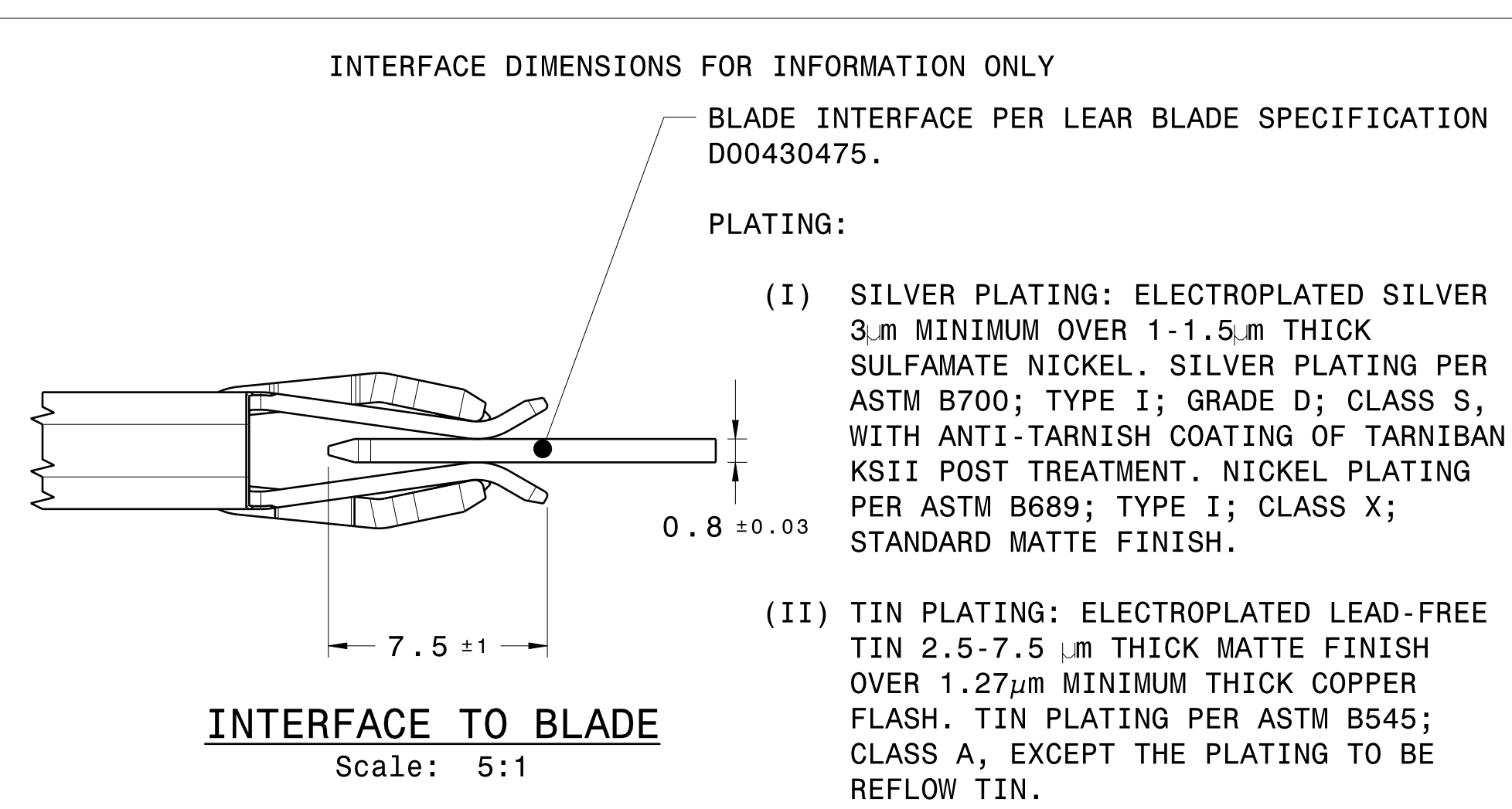
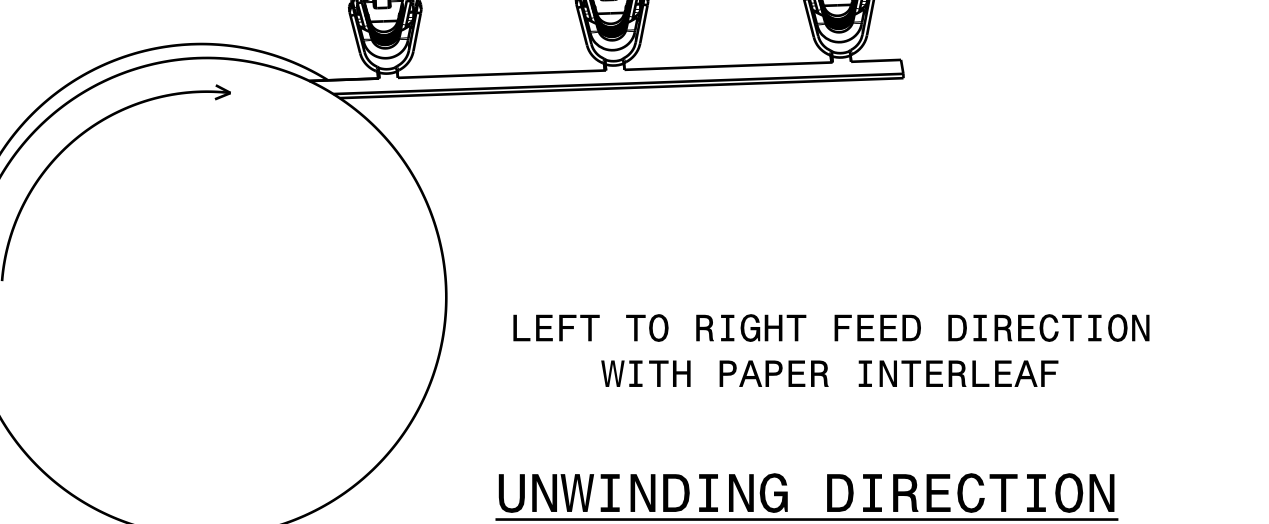
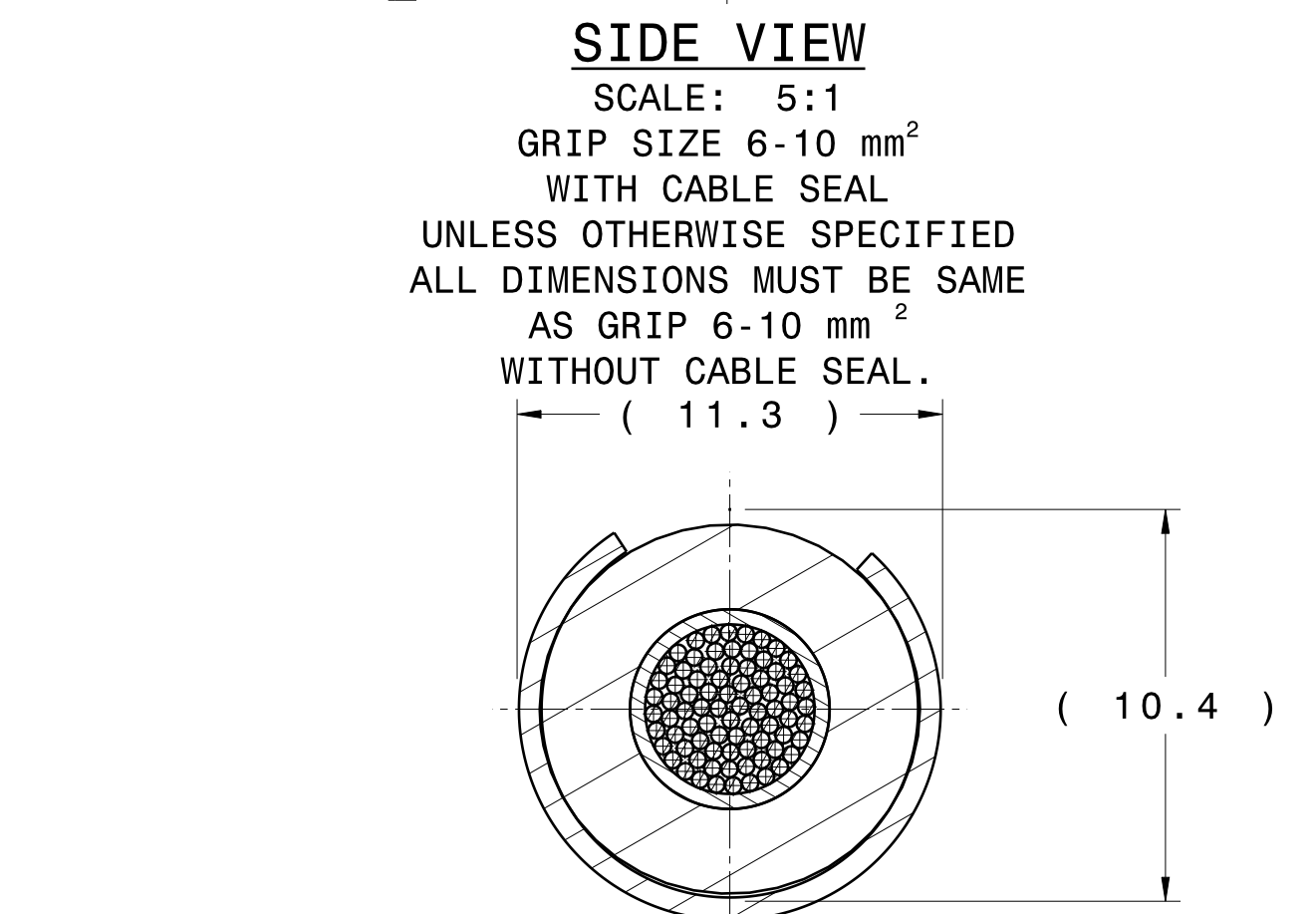
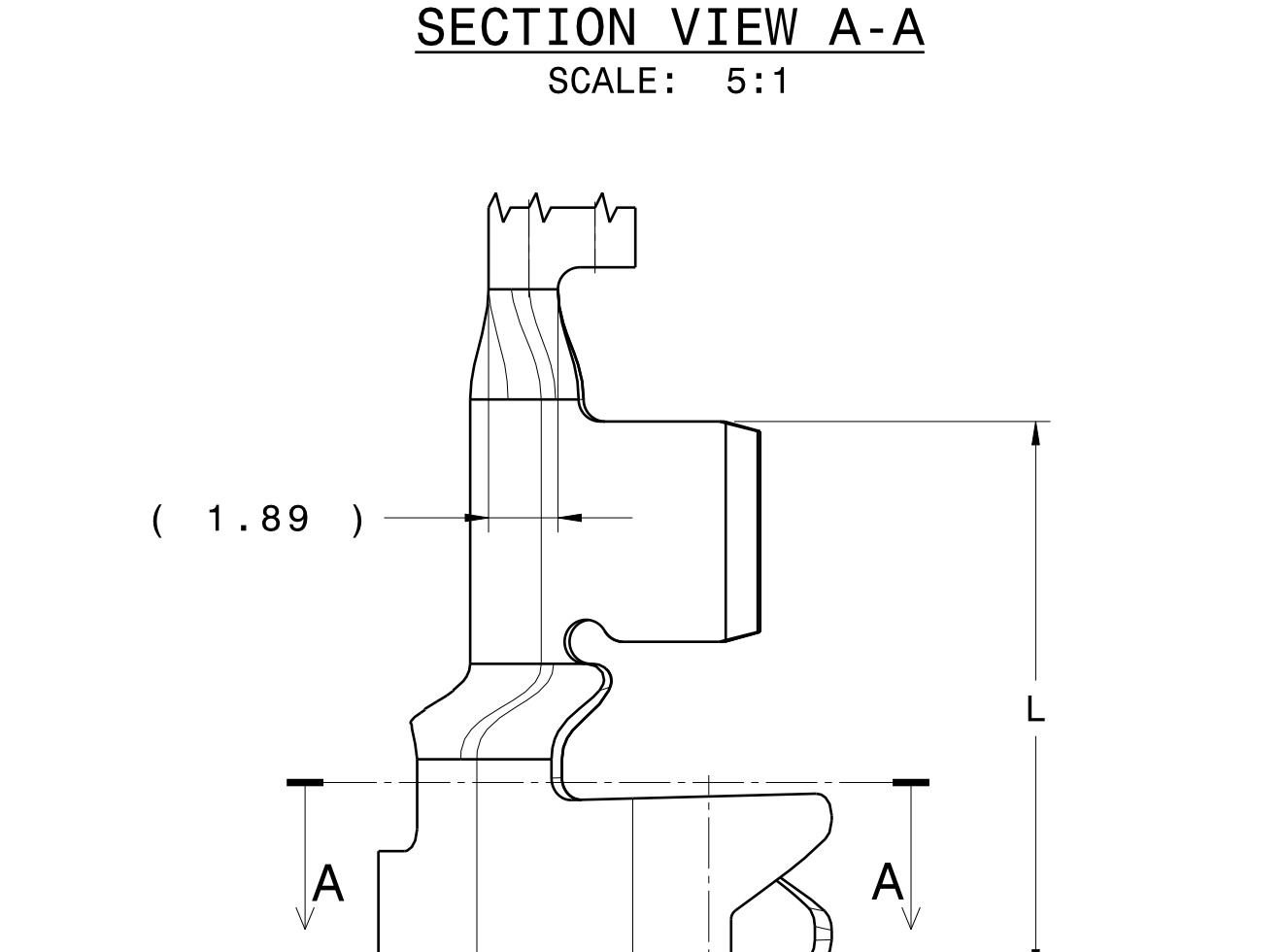
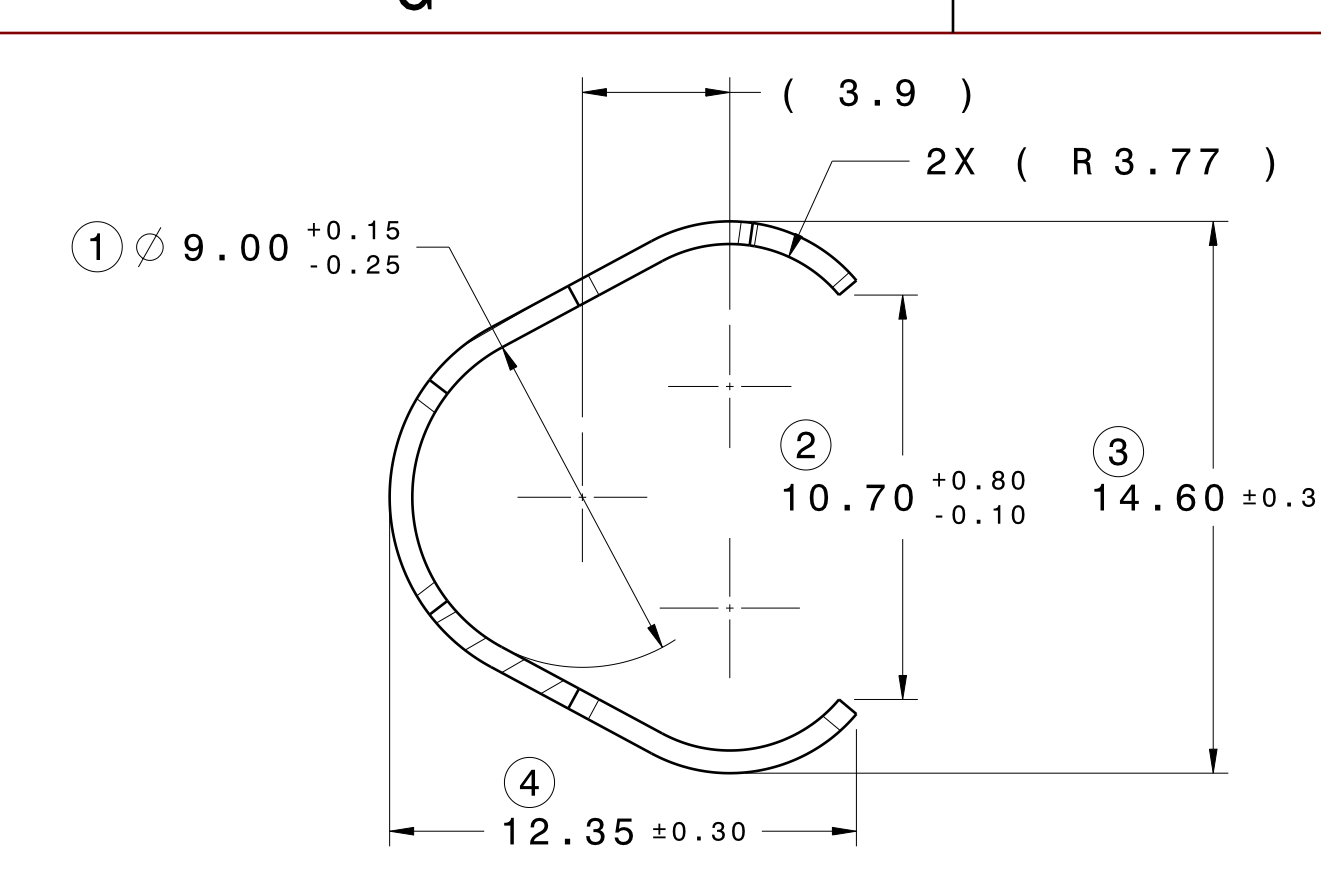


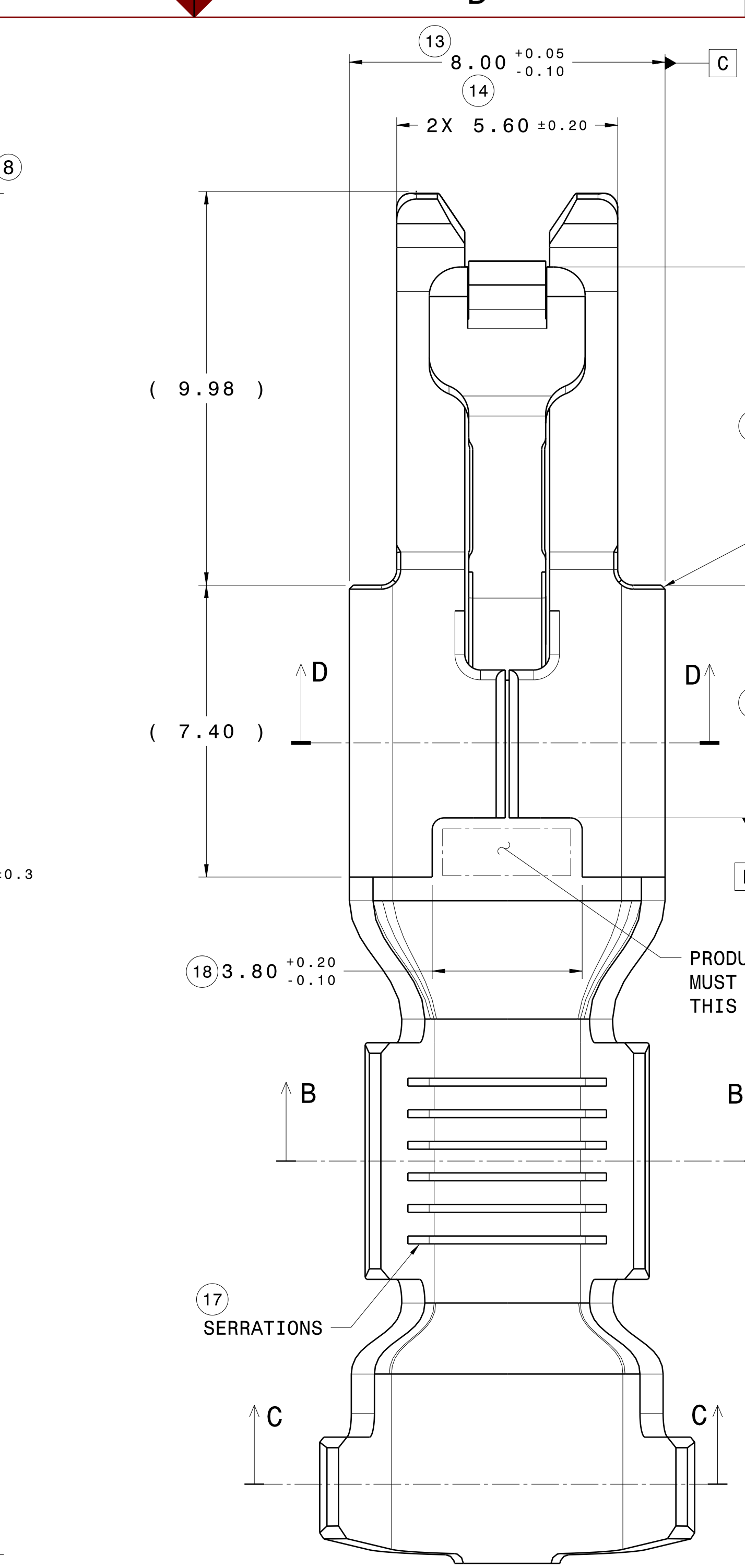
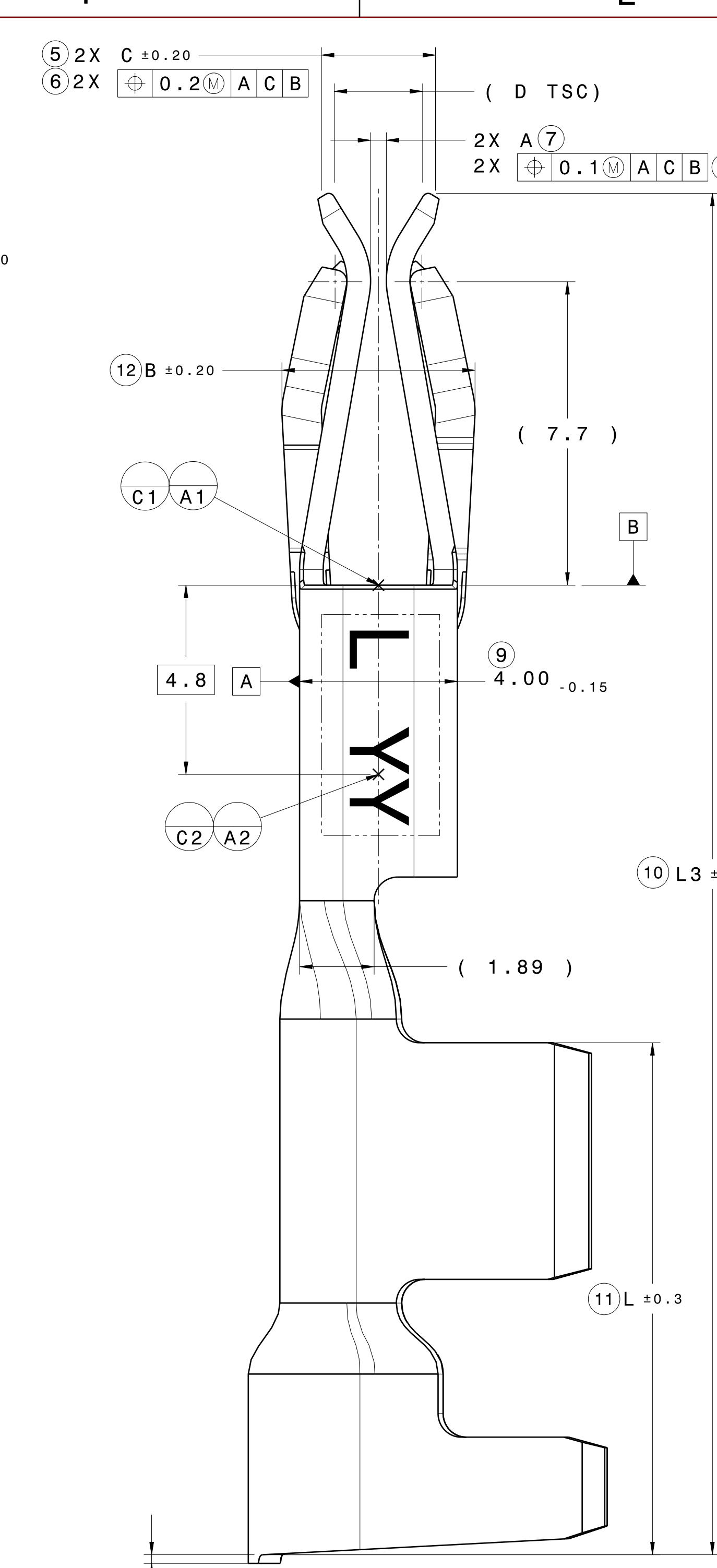
CARRIER DIMENSIONS FOR REFERENCE ONLY
Scale: 2:1



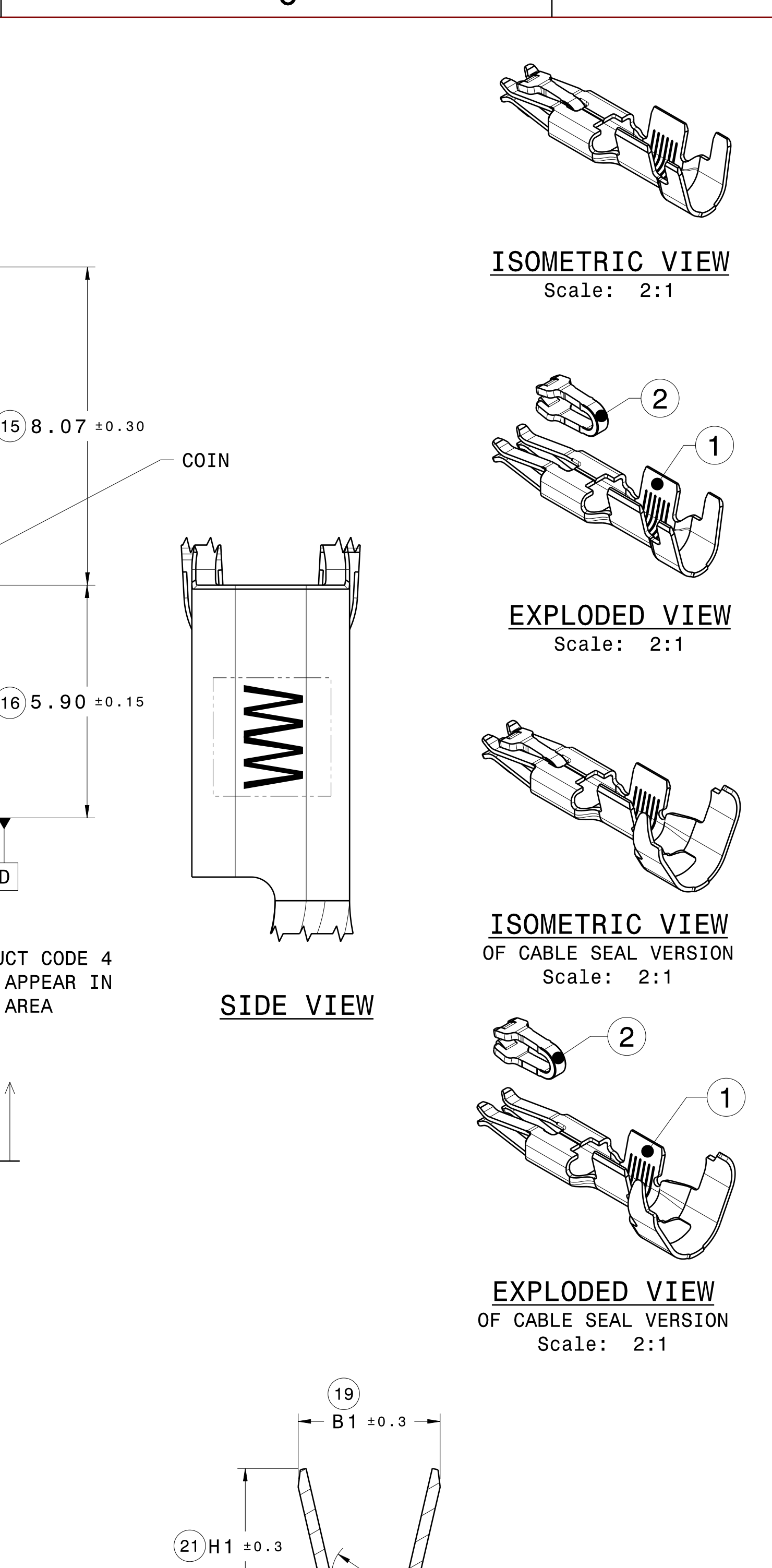
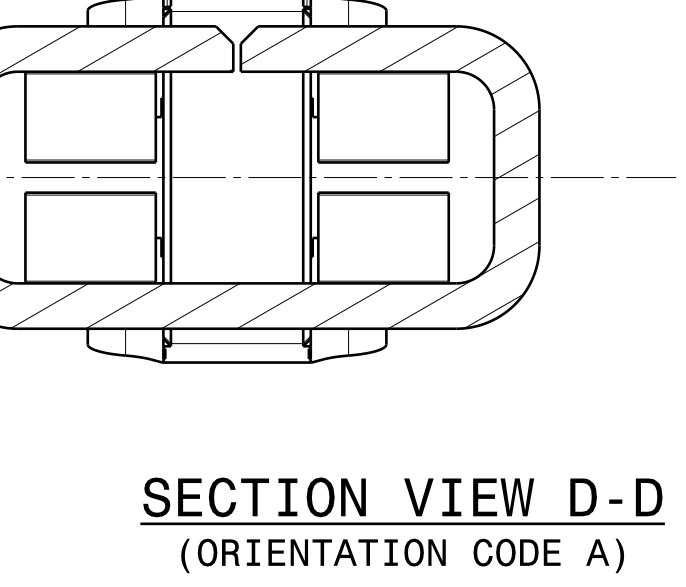
RECOMMENDED TERMINAL CAVITY DIAMETER IS 15.4 ±0.1



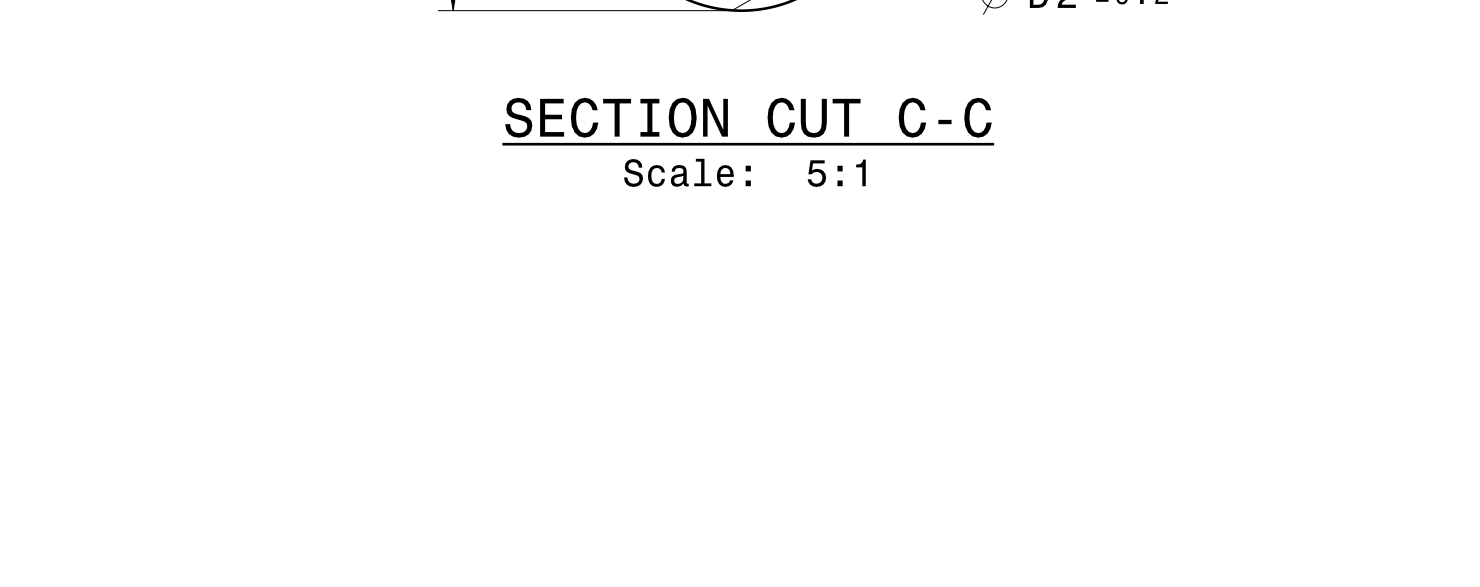
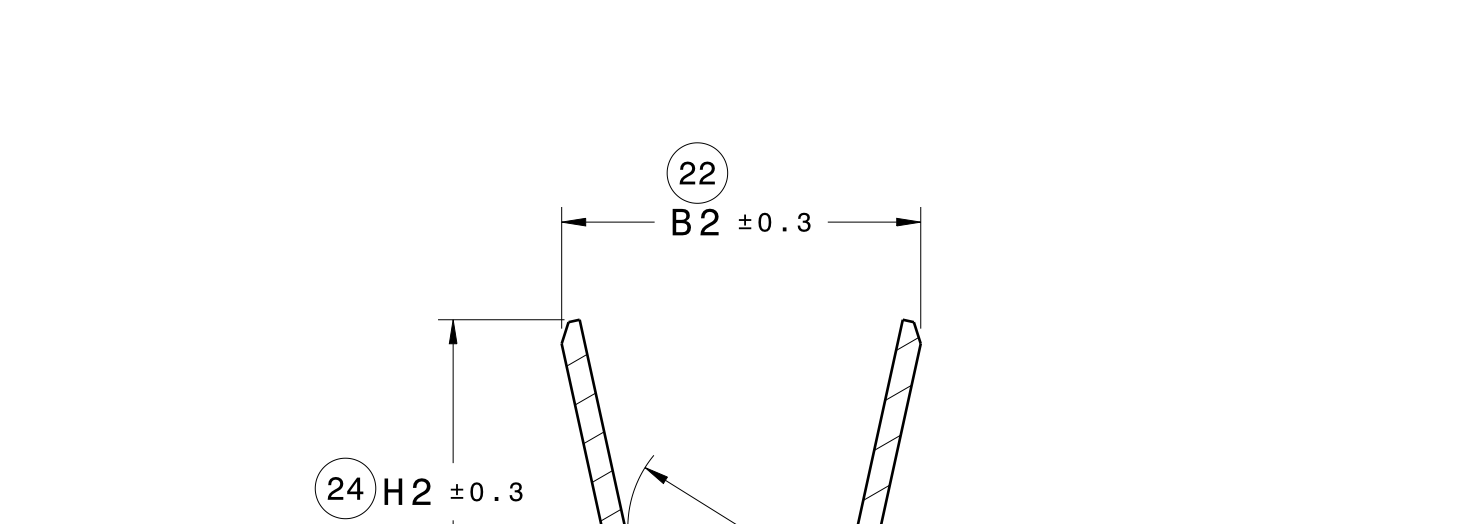
TAIL AFTER SINGULATION FROM CARRIER (APPLICATOR CONTROLLED)



SIDE VIEW
GRIP SIZE 6-10 mm²



ISOMETRIC VIEW OF CABLE SEAL VERSION
Scale: 2:1



- NOTES:**
- GENERAL TOLERANCES:
1.1. ONE PLACE DIMENSIONS ±0.20
1.2. TWO PLACE DIMENSIONS ±0.10
1.3. ANGULAR DIMENSIONS ±2°
 - BASE TERMINAL MATERIAL: COPPER ALLOY
SPRING MATERIAL: STAINLESS STEEL
 - PLATING IN TERMINAL BASE CONTACT AREA: SELECTIVE PLATING SILVER OVER NICKEL UNDERPLATING, OR TIN PLATING OVER COPPER FLASH.
THE GRIP AREA ARE EITHER TIN, OR SILVER PLATED.
 - PARTS MUST BE SHIPPED FREE FROM ANY MANUFACTURING AGENT (CUTTING FLUIDS, OILS, RESINS, WAXES, SOLVENTS, AND CHEMICALLY INDUCED OR EXTERNALLY DEPOSITED RESIDUES). NO DEBRIS (PLASTIC, METAL) ALLOWED IN SHIPPING PACKAGE.
 - SHIPPING PACKAGING MUST NOT DAMAGE PRODUCT DURING TRANSIT.
 - LEAR "L" STAMP AND ASSEMBLY DATE STAMP WW = WEEK, YY = YEAR, MUST BE LOCATED ON THE SIDES OF THE BOX. TEXT MUST BE LEGIBLE.
 - COIN PERMISSIBLE AT THE SEAM AREA OF THE BOX.
 - SCORES USED TO HELP FORMING THE BOX ARE PERMISSIBLE. THE DEPTH OF SCORE NOT TO EXCEED 10% OF MATERIAL THICKNESS.
 - UNLESS OTHERWISE SPECIFIED ALL DRAWING VIEWS SHOW TERMINAL AFTER SINGULATION FROM CARRIER.
 - UNLESS OTHERWISE SPECIFIED ALL DRAWING VIEWS SHOW GPN E04756500 & E04756800 (6-10mm²).
 - FOR TERMINAL CAVITY SEE LEAR 6.3HC TERMINAL CRIMP OPTION CAVITY SPECIFICATION D00461704 FOR UNSEALED CONNECTOR, AND D00456612 FOR SEALED CONNECTOR
 - TERMINAL VALIDATION PER USCAR 2, CRIMP VALIDATION PER USCAR 21.

CHART 1

Assembly GPN	Description	GRIP SIZE mm ²	NO. OF SERRATION	PLATING	DIMENSION A MAXIMUM	DIMENSION B	DIMENSION C	DIMENSION D	Dimension B1	Dimension B2	Dimension D1	Dimension D2	Dimension H1	Dimension H2	Dimension L	Dimension L3	Dimension M	ITEM NUMBER	QTY	COMPONENT DESCRIPTION	MATERIAL
E04756100	6.3HC TERMINAL 2.5-4 mm ² GRIP 0.80 BLADE LOW INSERTION	2.5-4	4	TIN	0.45	4.85	2.94	2.24	4.9	7.0	2.5	4.0	5.2	7.0	13.0	34.6	-	1	6.3HC TERMINAL BASE	COPPER ALLOY	
E04756300	6.3HC TERMINAL 2.5-4 mm ² GRIP 0.80 BLADE LOW INSERTION	2.5-4	4	SILVER	0.45	4.85	2.94	2.24	4.9	7.0	2.5	4.0	5.2	7.0	13.0	34.6	-	2	6.3HC TERMINAL SPRING	SS	
E04756500	6.3HC TERMINAL 6-10 mm ² GRIP 0.80 BLADE LOW INSERTION	6-10	6	TIN	0.45	4.85	2.94	2.24	7.2	9.5	3.8	6.0	7.9	9.1	13.0	34.6	-	1	6.3HC TERMINAL BASE	COPPER ALLOY	
E04756800	6.3HC TERMINAL 6-10 mm ² GRIP 0.80 BLADE LOW INSERTION	6-10	6	SILVER	0.45	4.85	2.94	2.24	7.2	9.5	3.8	6.0	7.9	9.1	13.0	34.6	-	2	6.3HC TERMINAL SPRING	SS	
E04757000	6.3HC TERMINAL 12-16 mm ² GRIP 0.80 BLADE LOW INSERTION	12-16	7	TIN	0.45	4.85	2.94	2.24	9.0	13.0	5.0	7.6	9.6	12.1	16.0	37.6	-	1	6.3HC TERMINAL BASE	COPPER ALLOY	
E04757200	6.3HC TERMINAL 12-16 mm ² GRIP 0.80 BLADE LOW INSERTION	12-16	7	SILVER	0.45	4.85	2.94	2.24	9.0	13.0	5.0	7.6	9.6	12.1	16.0	37.6	-	2	6.3HC TERMINAL SPRING	SS	
E04855100	6.3HC TERMINAL 2.5-4 mm ² GRIP WITH CABLE SEAL & 0.80 MATING BLADE LOW INSERTION	2.5-4	4	TIN	0.45	4.85	2.94	2.24	4.9	-	2.5	-	5.2	-	13.5	35.1	28.42	1	6.3HC TERMINAL BASE	COPPER ALLOY	
E04855500	6.3HC TERMINAL 2.5-4 mm ² GRIP WITH CABLE SEAL & 0.80 MATING BLADE LOW INSERTION	2.5-4	4	SILVER	0.45	4.85	2.94	2.24	4.9	-	2.5	-	5.2	-	13.5	35.1	28.42	2	6.3HC TERMINAL SPRING	SS	
E04855800	6.3HC TERMINAL 6-10 mm ² GRIP WITH CABLE SEAL & 0.80 MATING BLADE LOW INSERTION	6-10	6	TIN	0.45	4.85	2.94	2.24	7.2	-	3.8	-	7.9	-	15.0	36.6	29.92	1	6.3HC TERMINAL BASE	COPPER ALLOY	
E04856100	6.3HC TERMINAL 6-10 mm ² GRIP WITH CABLE SEAL & 0.80 MATING BLADE LOW INSERTION	6-10	6	SILVER	0.45	4.85	2.94	2.24	7.2	-	3.8	-	7.9	-	15.0	36.6	29.92	2	6.3HC TERMINAL SPRING	SS	
E04856400	6.3HC TERMINAL 12-16 mm ² GRIP WITH CABLE SEAL & 0.80 MATING BLADE LOW INSERTION	12-16	7	TIN	0.45	4.85	2.94	2.24	9.0	-	5.0	-	9.6	-	16.0	37.6	30.92	1	6.3HC TERMINAL BASE	COPPER ALLOY	
E04856900	6.3HC TERMINAL 12-16 mm ² GRIP WITH CABLE SEAL & 0.80 MATING BLADE LOW INSERTION	12-16	7	SILVER	0.45	4.85	2.94	2.24	9.0	-	5.0	-	9.6	-	16.0	37.6	30.92	2	6.3HC TERMINAL SPRING	SS	

REV.	ZONE	DESCRIPTION	CS REL. NO.	DATE	DESIGNER	CHECKER
04		RELEASE FOR PRODUCTION	CS 302211	2011/11/25	P. CASTELLANI	H. G. LOK
05-06		CHART 1 DIMENSION B 4.60 WAS 4.53 AND 4.90	CS 315478			
07		ADDED 150 VIEWS OF CABLE SEAL VERSION				
08		REMOVED SPRING ATTACHMENT NOTE AND RENUMBERED REMAINING NOTES				
09		REMOVED SIDE VIEWS				
10		BLADE INTERFACE NOTE REVISED				
11		EDITING AND REMOVED OBSOLETE				
12		2.94 WAS 2.89				
13		2.95 WAS 3.46				
14		ADDED NOTE TO SIDE VIEW 6-10 mm ² WITH CABLE SEAL	CS 320060	2016/09/22	P. CASTELLANI	H. G. LOK
15		(1.89) WAS (2.37)				
16		ADDED ORIENTATION CODE A WITH RELATED NOTES AND DIMENSIONS	CS 320651	2016/01/20	P. CASTELLANI	H. G. LOK
17		ADDED DETAIL J				
18		ADDED SECTION VIEW D-D				
19		REMOVED 0.15 & 0.80 MAX GAP TERMINALS FROM CHART 1				
20		6.07 WAS 8.08				
21		PRODUCT CODE 4 WAS A	CS 335436	2016/06/14	P. CASTELLANI	H. G. LOK
22		0.45 (R 0.60) WAS 0.60				
23		NOTE 9 ADDED				
24		ADDED TERMINAL QUALITY SPECIFICATION NOTE				
25		ADDED DATUM D, ADDED DIMENSION W, REMOVED DIM 1 & DIM 28.7 ± 0.3, DIMENSION 15.4 ± 0.1	CS 345483	2017/09/13	C. BOOD	S. RAHMAN
26		WAS 14.4				
27		ADDED COIN				
28		REMOVED POLARIZATION TAB				
29		REVISED NOTE #4				
30		ADDED NOTE #2	DN-0106264	2018/11/29	R. SAHARNO	E. RAHMAN
31		0.45 WAS 0.40 FOR DIM. A	DN-0115321	2020/09/03	R. SAHARNO	E. RAHMAN
32		ADDED NOTE #12				
33		DRAWING NUMBER WAS E04756800C				
34		0.45 WAS 0.40 FOR DIM. B				

ANGLE PROJECTION: MATERIAL: N/A, FINISH/SURFACE: N/A, COLOR: N/A, WEIGHT CAD: N/A, VOLUME CAD: N/A

NOT USED XX

SCALE: 10:1

START DATE: 2014/05/27

DRAWN BY: P. CASTELLANI

APPROVED BY: E. RAHMAN, C. BOOD, R. SAHARNO, APPROVER L. GALUSHA

LEAR CORPORATION 21557 TELEGRAPH ROAD, SOUTHWIELD, NH, 03033

6.3 HC TERMINAL ASSEMBLY CRIMP VERSION CUSTOMER

CAD DIRECTORY / LOCATION: DRAWING FILE NAME: E04756800-ALL-PROD-CAD-0001.dwg, SEM, MODEL FILE NAME: E04756800-AA-M000-CAD-0001.dwg

LAST UPDATE: 2020/09/03, SEM DOCUMENT ID: DRAWING NUMBER: E04156400, REV: AH, SHEET: 1, OF: 1, TYPE: CG

LAST USED: 32

CONFIDENTIAL - THIS DRAWING AND ALL INFORMATION DISCLOSED HEREIN ARE OWNED BY LEAR CORPORATION AND ARE NOT TO BE DISTRIBUTED OR DISSEMINATED IN ANY MANNER UNLESS EXPRESSLY AUTHORIZED IN WRITING BY LEAR CORPORATION